

Platina Spot

Technical Specifications

K-LITE

General

ID	: 3347
System Wattage	: 7W LED
Protection Class	: IP20
Driver Mounting	: Integrated
Input Voltage	: 230Vac
Frequency	: 50-60 Hz
Operating Voltage	: 100-265 Vac
Warranty	: 3 years

Physical

Body	: Die - Cast Aluminium
Diffuser	: Polycarbonate Optical Cover
Mounting	: Recessed

Light Source

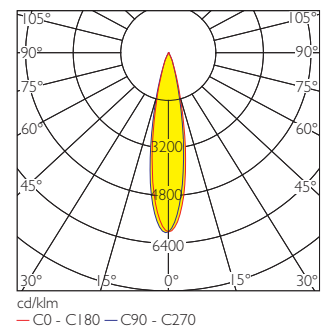
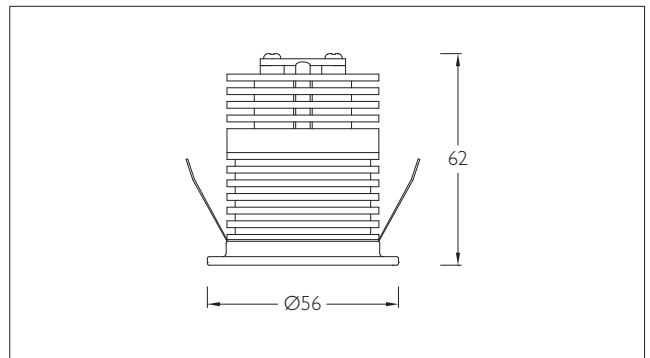
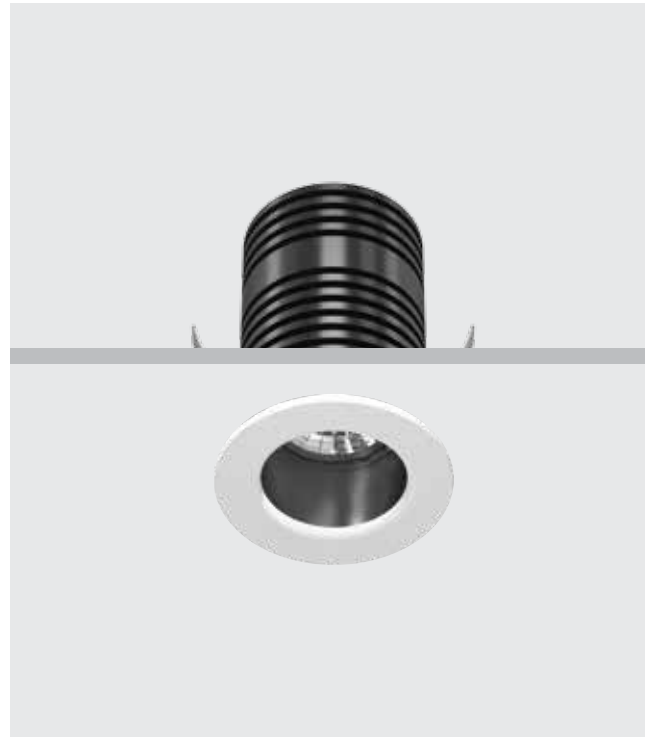
Light source / LED chip	: BRIDGELUX
LED Lumens	: 700 lm
Colour Rendering Index(CRI)	: Ra \geq 90
LED Colour Temperature	: 3000K / 4000K / 6000K
Life Span	: >30,000 Hours

Driver

Power Factor	: >0.90
THD	: <10%
Surge Protection	: 1.5KV
Efficiency	: 80%

Optical

Colour Temperature	: 3000K
Luminaire Luminous flux	: 473 lm
Luminaire Luminous Efficiency	: 75 lm/W
Beam Angle	: 24°
UGR	: <16



The luminous flux and the connected wattage quoted might change as a result of technical progress. For the latest Installation guidelines and product updates with LED service life please refer to the website at www.klite.in