

# Platina Spot Adjustable

## Technical Specifications

**K-LITE**

### General

ID	: 3346
System Wattage	: 3W LED
Protection Class	: IP20
Driver Mounting	: Integrated
Input Voltage	: 230 Vac
Frequency	: 50-60 Hz
Operating Voltage	: 100-265 Vac
Warranty	: 3 years

### Physical

Body	: Die - Cast Aluminium
Reflector	: Polycarbonate Optical Cover
Mounting	: Recessed
Adjustable	: Adjustable upto 17°

### Light Source

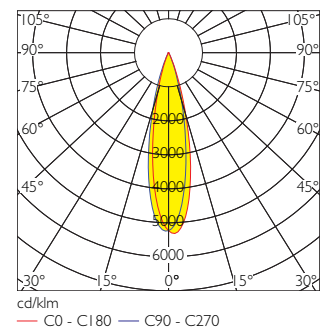
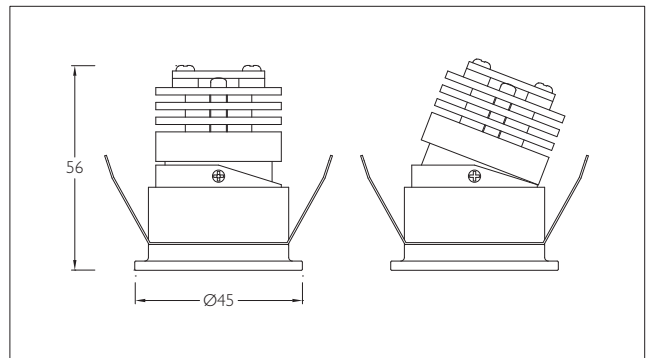
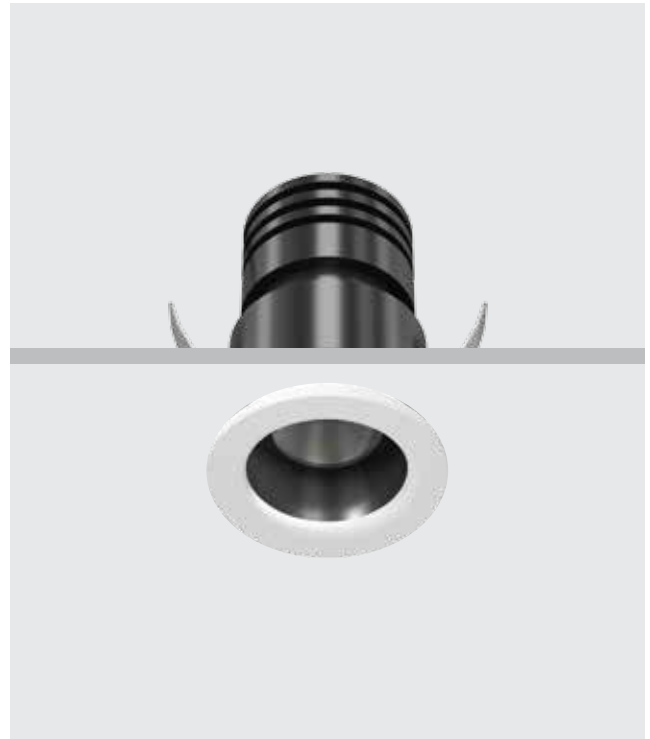
Light source / LED chip	: CREE XPE
LED Lumens	: 300 lm
Colour Rendering Index(CRI)	: Ra ≥90
LED Colour Temperature	: 3000K / 4000K / 5000K
Life Span	: >30,000 Hours

### Driver

Power Factor	: >0.90
THD	: <10%
Surge Protection	: 1.5KV
Efficiency	: 80%

### Optical

Colour Temperature	: 3000K
Luminaire Luminous flux	: 137 lm
Luminaire Luminous Efficiency	: 60 lm/W
Beam Angle	: 15°
UGR	: <16



The luminous flux and the connected wattage quoted might change as a result of technical progress. For the latest Installation guidelines and product updates with LED service life please refer to the website at [www.klite.in](http://www.klite.in)