

Sleek Platina Micro

Technical Specifications

K-LITE

General

ID	: 3338
System Wattage	: 6W LED
Protection Class	: IP20
Driver Mounting	: Integrated
Input Voltage	: 240Vac
Frequency	: 50-60 Hz
Operating Voltage	: 220-240 Vac
Warranty	: 3 years

Physical

Body	: Die - Cast Aluminium
Reflector	: Precision engineered high quality reflector
Mounting	: Recess
Adjustable	: Adjustable upto 25°

Light Source

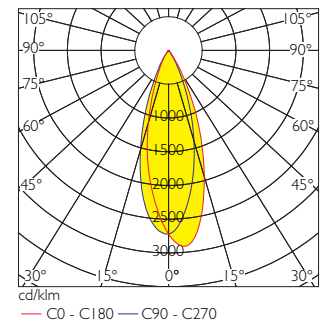
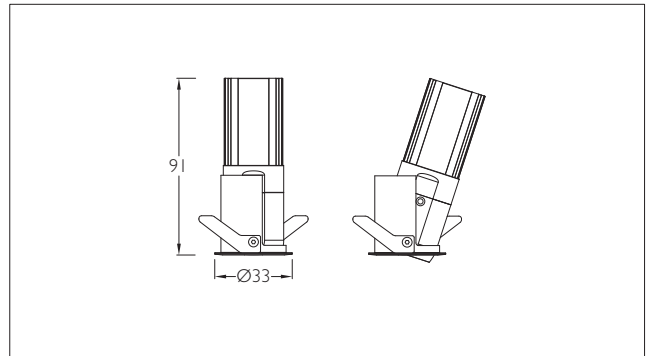
Light source / LED chip	: CREE, SMD3535
LED Lumens	: 900 lm
Colour Rendering Index(CRI)	: Ra>90 R9>50
LED Colour Temperature	: 3000K / 4000K / 5700K
Life Span	: >50,000 Hours

Driver

Power Factor	: >0.90
THD	: <10%
Surge Protection	: 2KV
Efficiency	: 80%
Dimmable options	: Triac / PWM / 1-10V / Dali

Optical

Louver	: Honey comb
Colour Temperature	: 3000K
Luminaire Luminous flux	: 275 lm
Luminaire Luminous Efficiency	: 48 lm/W
Beam Angle	: 36°
UGR	: <16



The luminous flux and the connected wattage quoted might change as a result of technical progress. For the latest Installation guidelines and product updates with LED service life please refer to the website at www.klite.in