

# Platina Mini

## Technical Specifications

**K-LITE**

### General

|                   |               |
|-------------------|---------------|
| ID                | : 3328 / 3334 |
| System Wattage    | : 12W LED     |
| Protection Class  | : IP20        |
| Driver Mounting   | : Integrated  |
| Input Voltage     | : 240Vac      |
| Frequency         | : 50-60 Hz    |
| Operating Voltage | : 100-277 Vac |
| Warranty          | : 3 years     |

### Physical

|            |   |
|------------|---|
| Body       | : Die - Cast Aluminium                                    |
| Reflector  | : Precision engineered high quality reflector             |
| Mounting   | : Recess ( Suitable for all ceiling thickness upto 30mm ) |
| Adjustable | : Adjustable upto 30°                                     |

### Light Source

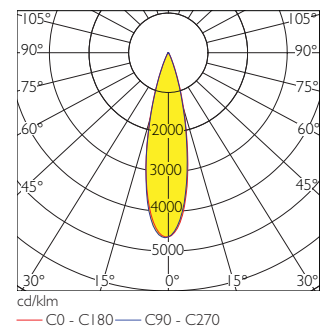
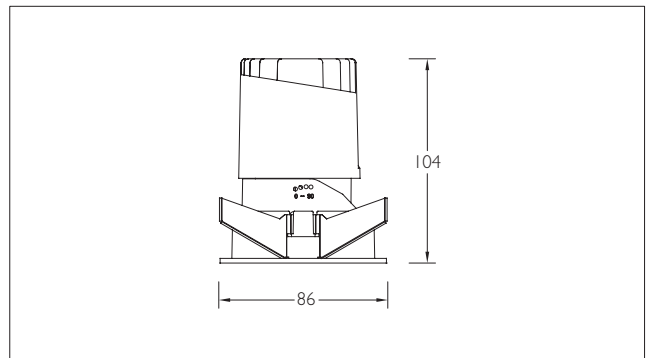
|                             |                           |
|-----------------------------|---------------------------|
| Light source / LED chip     | : CITIZEN, COB            |
| LED Lumens                  | : 1452 lm                 |
| Colour Rendering Index(CRI) | : Ra>90 R9>50             |
| LED Colour Temperature      | : 2700K/3000K/4000K/6000K |
| Life Span                   | : >50,000 Hours           |

### Driver

|                  |                              |
|------------------|------------------------------|
| Power Factor     | : >0.95                      |
| THD              | : <10%                       |
| Surge Protection | : 6KV                        |
| Efficiency       | : 87%                        |
| Dimmable options | : Triac / PWM / I-10V / Dali |

### Optical

|                               |                  |
|-------------------------------|------------------|
| Reflector                     | : Chrome         |
| Colour Temperature            | : 3000K          |
| Luminaire Luminous flux       | : 896 lm         |
| Luminaire Luminous Efficiency | : 68 lm/W        |
| Beam Angle                    | : 15°, 24° & 38° |
| UGR                           | : <16            |



The luminous flux and the connected wattage quoted might change as a result of technical progress. For the latest Installation guidelines and product updates with LED service life please refer to the website at [www.klite.in](http://www.klite.in)