

Platina Micro

Technical Specifications

K-LITE

General

ID	: 3327 / 3333
System Wattage	: 6W LED
Protection Class	: IP20
Driver Mounting	: Integrated
Input Voltage	: 240Vac
Frequency	: 50-60 Hz
Operating Voltage	: 100-277 Vac
Warranty	: 3 years

Physical

Body	: Die - Cast Aluminium
Reflector	: Precision engineered high quality reflector
Mounting	: Recess (Suitable for all ceiling thickness upto 30mm)
Adjustable	: Adjustable upto 30°

Light Source

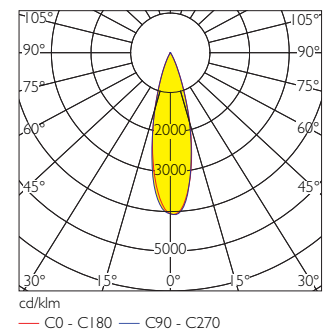
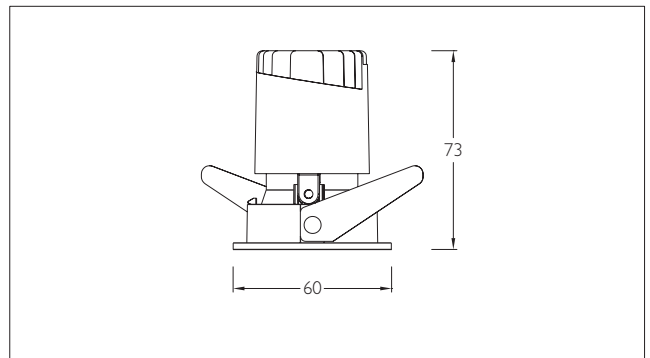
Light source / LED chip	: CITIZEN, COB
LED Lumens	: 786 lm
Colour Rendering Index(CRI)	: Ra>90 R9>50
LED Colour Temperature	: 2700K/3000K/4000K/6000K
Life Span	: >50,000 Hours

Driver

Power Factor	: >0.90
THD	: <10%
Surge Protection	: 6KV
Efficiency	: 87%
Dimmable options	: Triac / PWM / 1-10V / Dali

Optical

Reflector	: Chrome
Colour Temperature	: 3000K
Luminaire Luminous flux	: 436 lm
Luminaire Luminous Efficiency	: 65 lm/W
Beam Angle	: 15°, 24° & 38°
UGR	: <16



The luminous flux and the connected wattage quoted might change as a result of technical progress. For the latest Installation guidelines and product updates with LED service life please refer to the website at www.klite.in