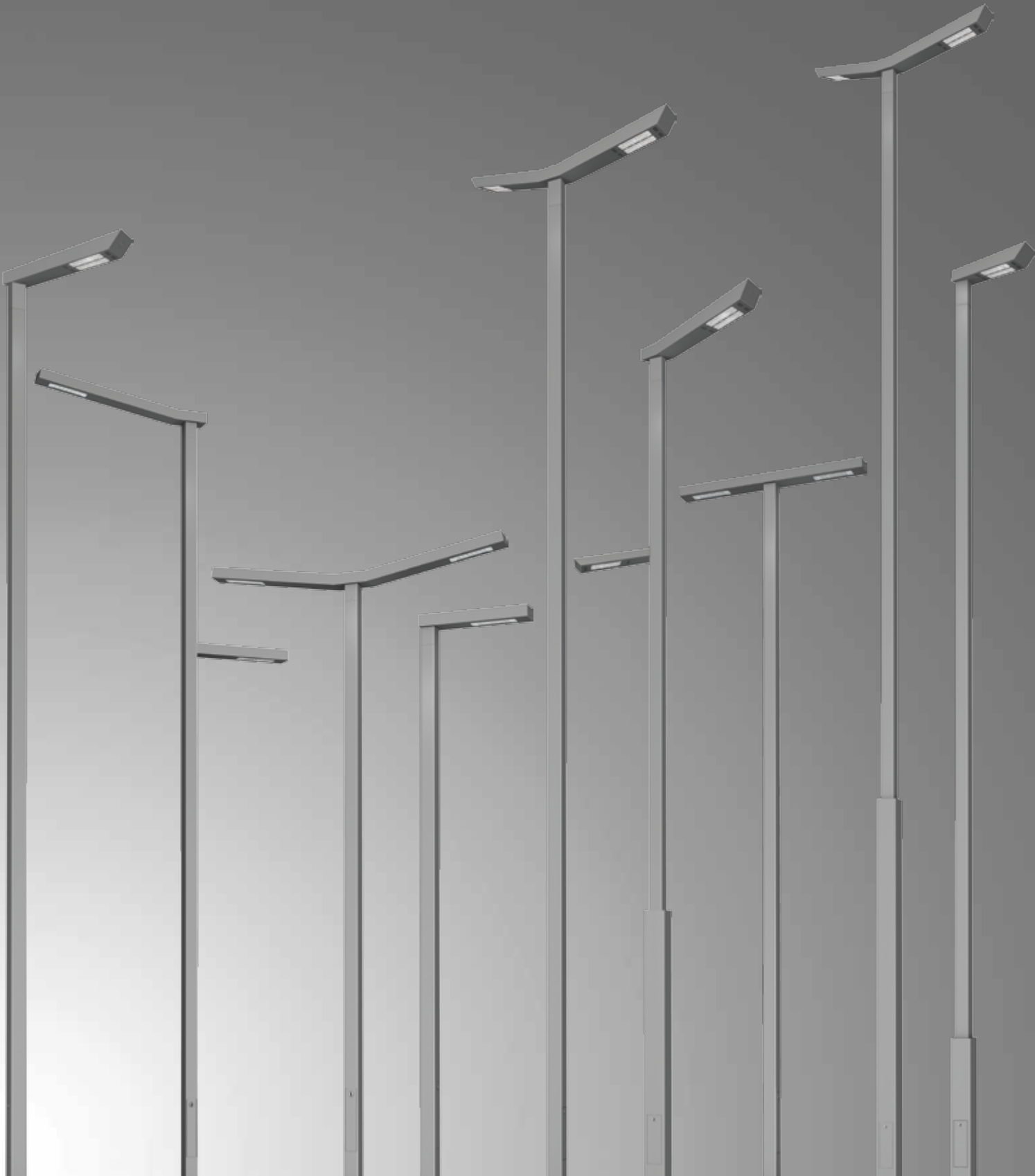


Quadra Lighting Poles

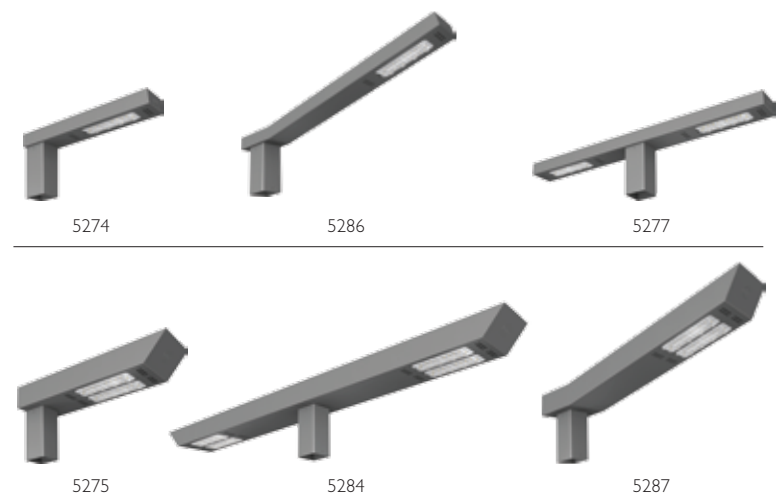


Quadra pole is a simplest design that are suitable for projects that require clean design detailing. Superb strength characteristics make these products ultra reliable.

Features :

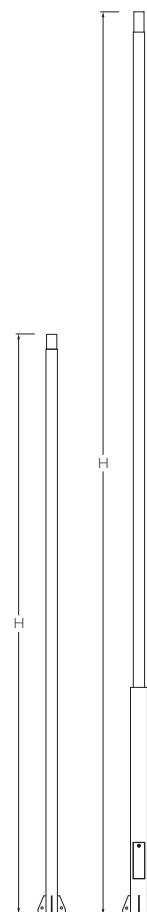
- Quadra pole is suitable for various pole top & street Light luminaires.
- This architecturally designed pole is structurally sound, engineered to withstand adverse conditions.
- Pole section welded to base plate by certified welders using high end MIG welding processes.
- Built-in control box with service door including lock and safety chain.
- The control gear tray is prewired with MCB, terminal connectors for loop-in loop-out arrangement.

Fixture Options



Pole Details

ID	H	Pole Size	Mounting
KP-4772	3050	□80	Fig. 1
KP-4773	3660	□80	Fig. 1
KP-4774	4270	□80	Fig. 2
KP-4775	5000	□80	Fig. 2
KP-4776	6000	□80	Fig. 2
KP-4779	3050	□100	Fig. 3
KP-4780	3660	□100	Fig. 3
KP-4781	4270	□100	Fig. 4
KP-4782	5000	□100	Fig. 4
KP-4783	6000	□100	Fig. 4
KP-4784	7000	□100	Fig. 5
KP-7254	7000	□150 / □100	Fig. 6
KP-7255	8000	□150 / □100	Fig. 6
KP-7256	9000	□150 / □100	Fig. 6



Mounting Details

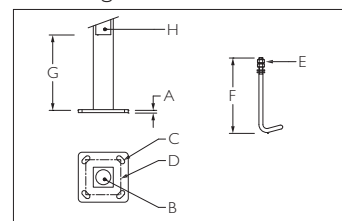


Figure	Base plate (A)	Cable Entry Hole (B)	No.of holes/ bolts (C)	CC (D)	Bolt (E)	Length (F)	Junction box (G)	Electrical junction box (H)
Fig.1	□200 x 12thk	Ø70	4	140	M16	300	300	320 x 60
Fig.3	□200 x 12thk	Ø70	4	140	M16	300	300	320 x 80

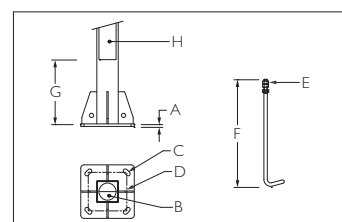


Figure	Base plate (A)	Cable Entry Hole (B)	No.of holes/ bolts (C)	CC (D)	Bolt (E)	Length (F)	Junction box (G)	Electrical junction box (H)
Fig.2	□250 x 12thk	Ø70	4	180	M16	500	300	320 x 60
Fig.4	□250 x 12thk	Ø70	4	180	M16	500	300	320 x 80
Fig.5	□300 x 16thk	Ø70	4	215	M20	500	300	320 x 80
Fig.6	□300 x 16thk	Ø125	4	215	M20	500	300	320 x 100