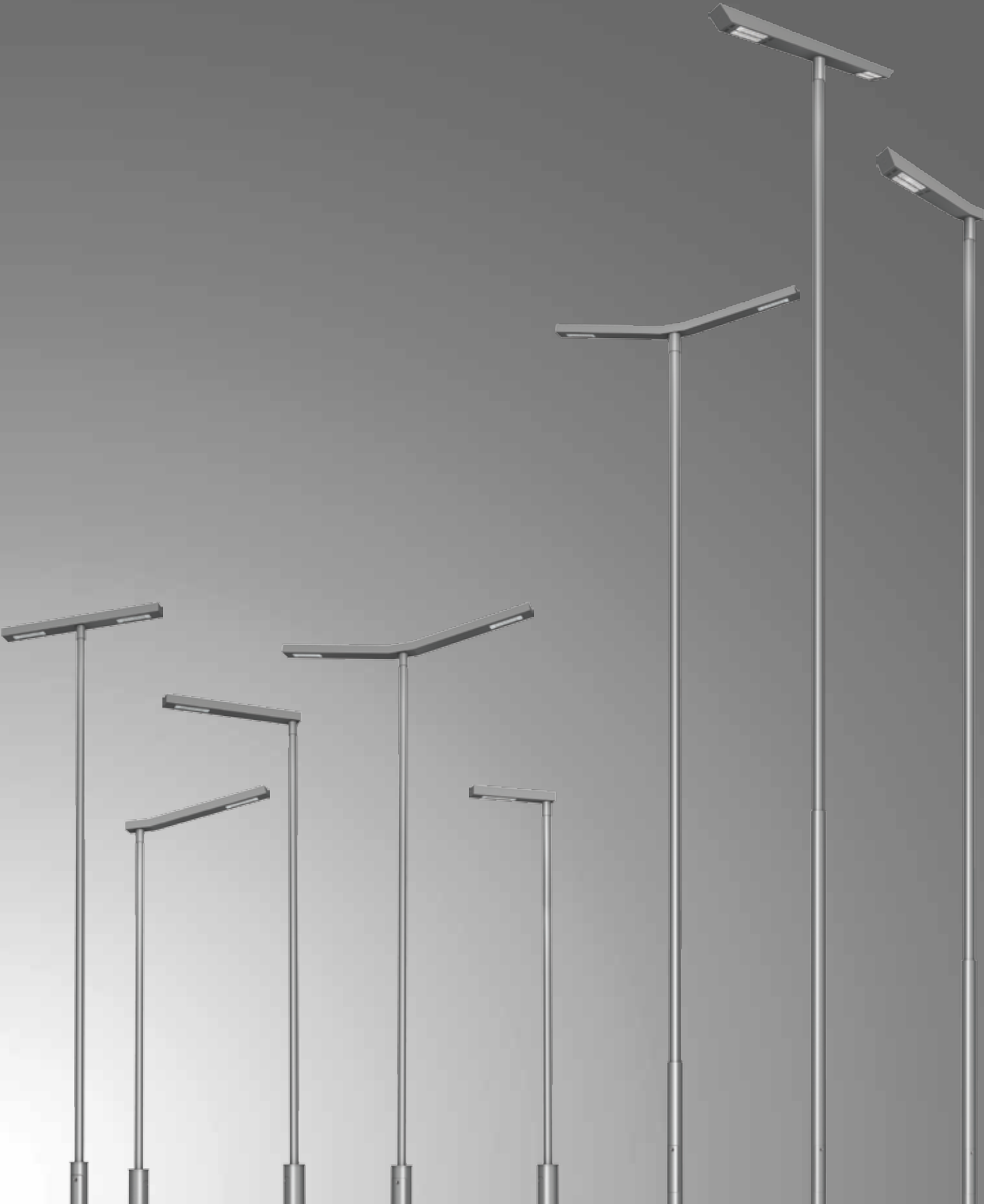


Flat Lighting Poles

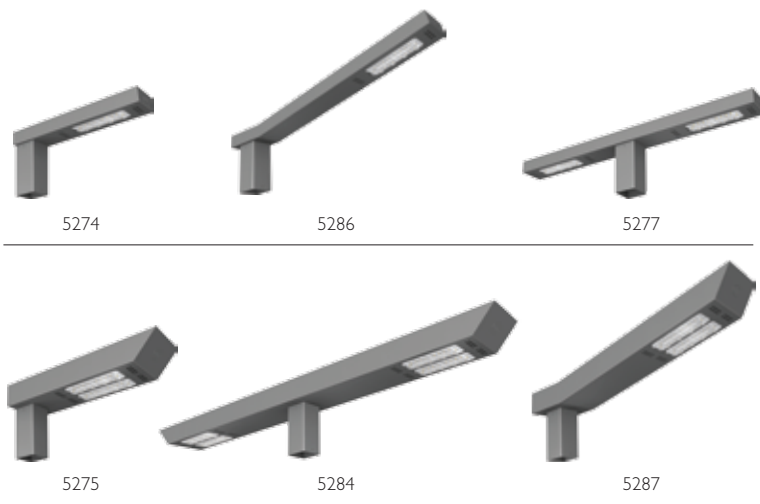


Flat pole is a simplest design that are suitable for projects that require clean design detailing. Superb strength characteristics make these products ultra reliable.

Features :

- Flat pole is suitable for various pole top & street Light luminaires.
- This architecturally pole is structurally sound, engineered to withstand adverse conditions.
- Pole section welded to base plate by certified welders using high end MIG welding processes.
- Built-in control box with die cast aluminium service door and safety chain.
- The control gear tray is prewired with MCB, terminal connectors for loop-in loop-out arrangement.

Fixture Options



Pole Details

ID	H	Pole Size	Mounting
KP-4786	3050	Ø139.7 / Ø60.3	Fig.1
KP-4787	3660	Ø139.7 / Ø60.3	Fig.1
KP-4790	3050	Ø139.7 / Ø76.1	Fig.1
KP-4791	3660	Ø139.7 / Ø76.1	Fig.1
KP-4792	4270	Ø139.7 / Ø76.1	Fig.1
KP-7260	7000	Ø114 / Ø88.9	Fig.2
KP-7261	8000	Ø114 / Ø88.9	Fig.2
KP-7262	9000	Ø114 / Ø88.9	Fig.2

Mounting Details

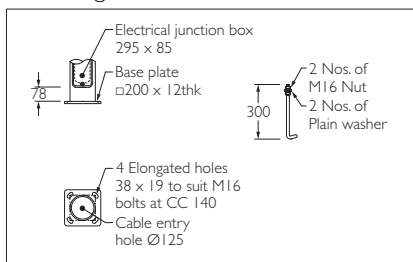


Fig.1

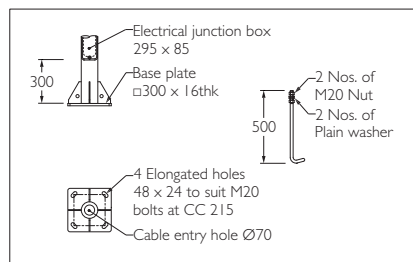


Fig.2

