

# Bamboo Lighting Poles



**Bamboo Lighting Pole** is a contemporary design that is both timeless and unique in its impression. Compact without visible mounting equipment and optimised integration. These assemblies are ideal for surroundings of contemporary architectural constructions.

## Features :

- This architecturally designed pole are structurally sound, engineered to withstand adverse conditions.
- Pole section welded to base plate by certified welders using high end MIG welding processes.
- Built-in control box with cast aluminium service door and safety rope.
- The control gear tray is prewired with MCB, terminal connectors for loop-in / loop-out arrangement.
- Coated with epoxy zinc phosphate primer and finished using environmentally stable polyurethane based paint.
- Integrated with 20W LED module and driver, suitable for operation on 240V, 50Hz single phase ac supply.

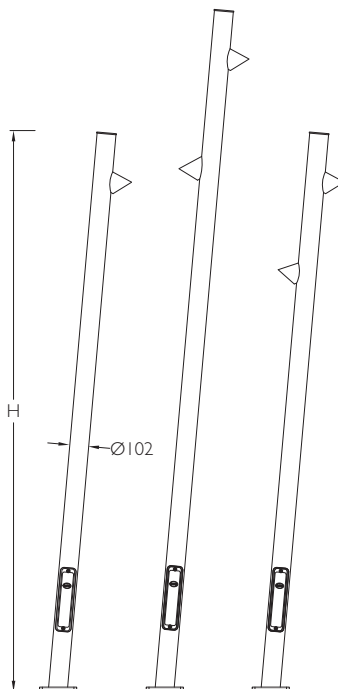
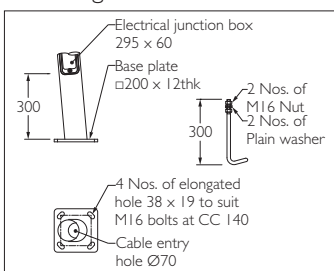
## Benefits :

- High Brightness, LED Light source do not pose any environment risks.
- Designed for highest efficiency in terms of more lumens at reduced wattages contributing to a Greener World.
- Customised for your delight : Creating the entire product portfolio - Right from concept to completion, merging the best technology and practices in lighting.

ID	Arms	Wattage	Height
KP-4838	Single Arm	1 x 20W LED	3000
KP-4839	Double Arm	2 x 20W LED	3000
KP-4840	Single Arm	1 x 20W LED	3660
KP-4841	Double Arm	2 x 20W LED	3660

P7 Circular Pole

## Mounting Details



The luminous flux and the connected wattage quoted might change as a result of technical progress. For the latest technical information, Installation guidelines and product updates with LED service life please refer to the website at [www.klite.in](http://www.klite.in)



**Important Note :** To ensure proper installation, kindly translate / communicate the installation instructions to a qualified electrician in their respective local language.