



In-Ground Luminaires

These energy efficient In-ground recessed luminaire's are designed to create luminous walkways, or accentuate architecture elements in facades and landscapes providing distinctive lighting effects. Designed for high lumen efficiency at reduced wattage creating exceptional visual comfort.

Technical Specifications

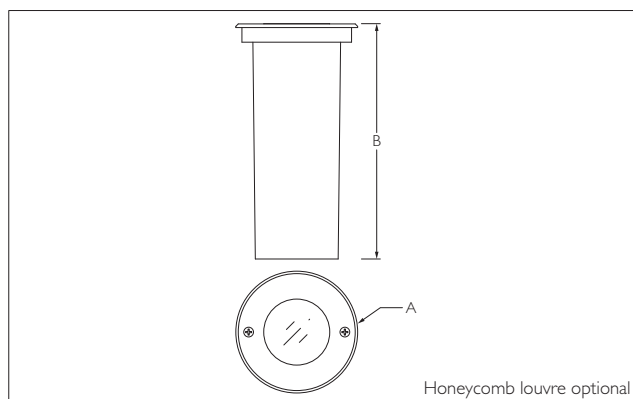
- Luminaire body and front ring made up of die-cast aluminium.
- Silicone gasket.
- Stainless steel screws.
- Toughened glass diffuser
- Symmetrical Reflector
- Luminaire hard wired with 2 x 0.5mm² cable of 1mts length.
- Supplied with mounting sleeve for preparing recessed opening in ground.
- Integral power supply
- Earth connection
- Safety class I
- Protection class IP65
- CE - Conformity mark
- Suitable for operation on 240V, 50Hz single phase ac supply.

Product Benefits

- High luminous efficiency at reduced wattage.
- A sleek and minimalist shape provides distinctive lighting effects.
- Sustainable LED technology offers durability and optimal light output with low power consumption.

Area of Application

Walk ways, Facades, Landscapes, Architectural elements.



| ID | Wattage | A | B |
|------|---------|------|-----|
| 4146 | 10W LED | Ø116 | 153 |

The luminous flux and the connected wattage quoted might change as a result of technical progress. For the latest technical information, Installation guidelines and product updates with LED service life please refer to the website at www.klite.in



Important Note : To ensure proper installation, kindly translate / communicate the installation instructions to a qualified electrician in their respective local language.