



# Astra Square

"Astra Square" surfaced mounted range of LED ceiling lights are a perfect fit for varied lighting applications. The die cast aluminium housing is ideal for better thermal management. High lumen output / Different wattage available make this versatile for indoor lighting solutions.

## Technical Specifications

- Luminaire made of die-cast aluminium for better thermal management.
- Die-cast aluminium inner ring with reflector for uniform light distribution.
- High PF constant current LED driver.
- Cable entries for through-wiring of mains supply cable
- Protection class IP 20
- CE - Conformity mark
- Suitable for operation on 240V, 50Hz single phase ac supply.

## Product Benefits

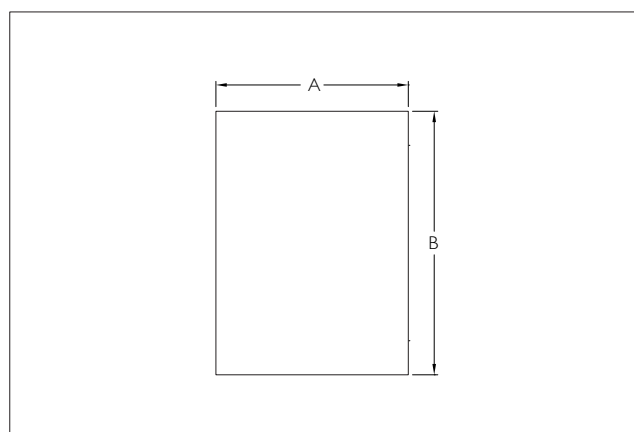
- Excellent efficiency for high energy savings of up to 80% compared to CFL downlights.
- Replacement of existing CFL downlights with even better performance.
- Quick & simple installation.
- Flexible deployment options with a wide spectrum of applications.

## Area of Application

Lobbies & Foyers, Retail Sector, Corridors, Corporate, Residential & Educational premises, Hospitality Industry, Commercial & Business Centers.

## Available Finish

Epoxy polyester powder coated white / black.



ID	Wattage	A	B
3686	12W LED	□73	95
3687	20W LED	□95	110
3688	30W LED	□115	125



The luminous flux and the connected wattage quoted might change as a result of technical progress. For the latest technical information, Installation guidelines and product updates with LED service life please refer to the website at [www.klite.in](http://www.klite.in)



**Important Note :** To ensure proper installation, kindly translate / communicate the installation instructions to a qualified electrician in their respective local language.