

High efficiency LED flood light luminaires designed to provide directional wall throw. The product design and construction of the luminaires are characterized by high luminous efficiency, an extremely long service life and uniform illuminance.

Technical Specifications

- Housing made up of die-casting aluminium.
- Mounting bracket to facilitate proper aiming of the luminaire at desired angle.
- Cable entries for through-wiring of mains supply cable.
- Available in 8° & 30° beam angles.
- Integral power supply
- Earth connection
- Safety class I
- Protection class IP 65
- CE - Conformity mark
- Luminaire provided with LED driver and Suitable for operation on 240V, 50Hz single phase ac supply.

Product Benefits

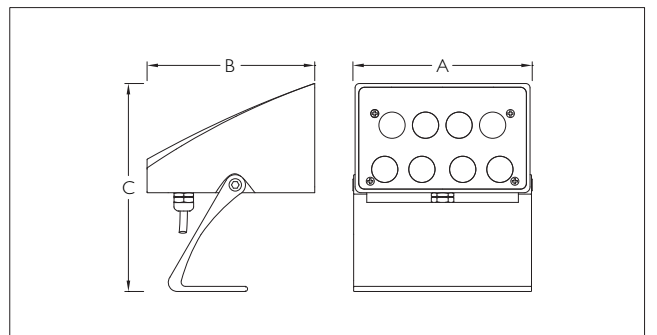
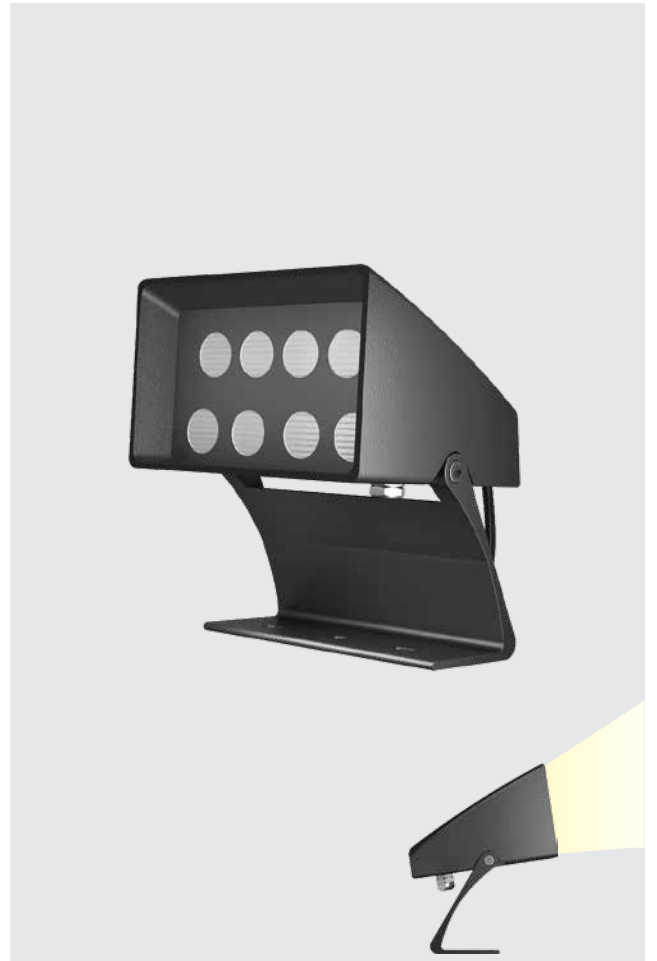
- High luminous efficiency at reduced wattage.
- Compact size, Optimum performance
- Sustainable LED technology offers durability and optimal light output with low power consumption.

Area of Application

Architectural and building facade lighting, Pathways, Parks, Sculptures, structures and Security lighting.

Available Finish

Pure polyester powder coated Black.



ID	Wattage	A	B	C
4223	16W LED	120	120	141

The luminous flux and the connected wattage quoted might change as a result of technical progress. For the latest technical information, Installation guidelines and product updates with LED service life please refer to the website at www.klite.in



Important Note : To ensure proper installation, kindly translate / communicate the installation instructions to a qualified electrician in their respective local language.