

# Microled / Miniled NEW



Microled and Miniled are tiny IP65 LED fitting suitable for down light, wall recessed and walkover for both indoor & outdoor application. Small dimension with flush mounting installation. It is equipped with a screwless round front ring in STAINLESS STEEL with transparent or opal diffuser. These fixtures are perfect for creating very defined effects of accent light. On request, these luminaires are also available in Green, Blue, Amber and Red.

## Technical Specifications

- Luminaire body and screwless front ring made from solid billet of stainless steel.
- Silicone seal gasket.
- Transparent or opal acrylic diffuser.
- Clear polycarbonate optical lens.
- Luminaire hard wired with 2 x 0.5mm<sup>2</sup> cable of 1.5mts length.
- Supplied with mounting sleeve for preparing recessed opening in ground or wall.
- Safety class I / III.
- Protection class IP65.
- CE - Conformity mark.
- Suitable for operation on 220-240V, 50Hz single phase ac (non-integral), requires suitable power supply.
- Available in Green / Blue / Amber / red ( On Request ).

## Product Benefits

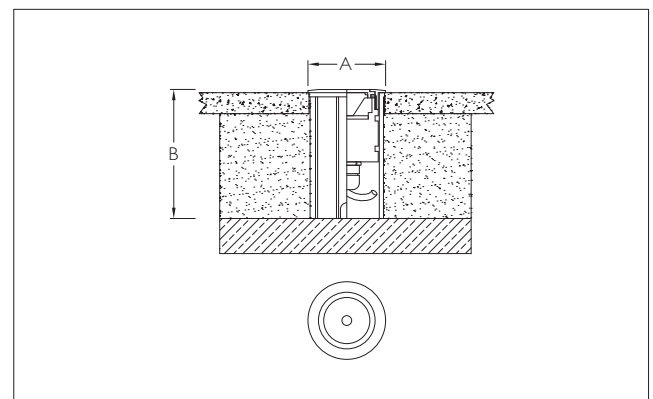
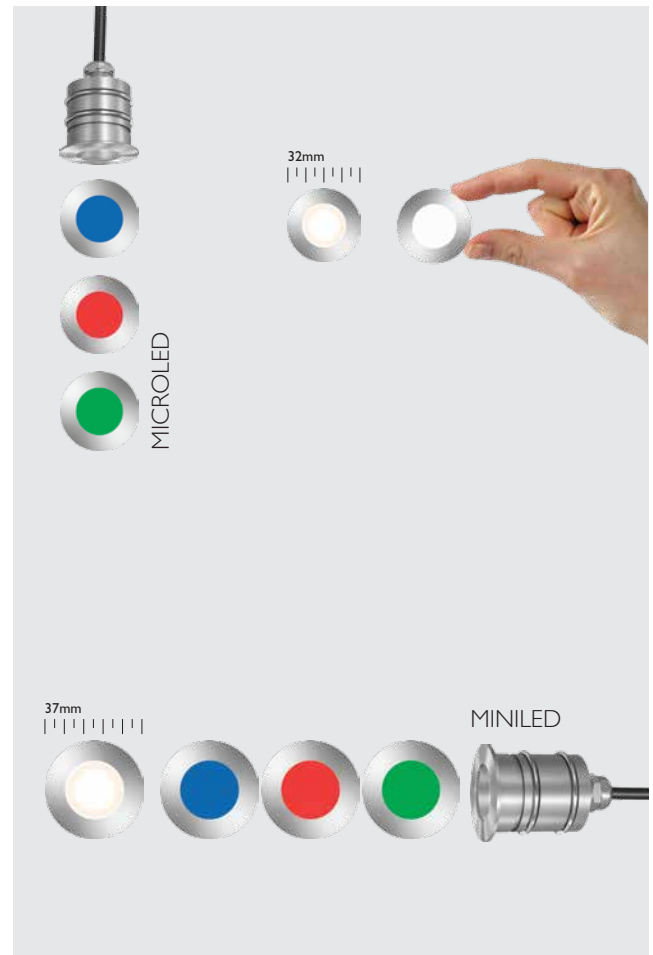
- High luminous efficiency at reduced wattage.
- A sleek and minimalist shape provides distinctive lighting effects for inground and wall architecture.
- Sustainable LED technology offers durability and optimal light output with low power consumption.

## Area of Application

Walk ways, Wall, Walkover, Facades, Landscapes, Architectural elements.

## Accessory

A separate IP67 rated connector can be supplied for a secure connection to the network.



ID	Wattage	Colour Temperature	A	B	Cutout
4085	1W LED	WW / CW	Ø32	57	Ø31
4086	3W LED	WW / CW	Ø37	62	Ø36

The luminous flux and the connected wattage quoted might change as a result of technical progress. For the latest technical information, Installation guidelines and product updates with LED service life please refer to the website at [www.klite.in](http://www.klite.in)



**Important Note :** To ensure proper installation, kindly translate / communicate the installation instructions to a qualified electrician in their respective local language.

### 1W - MICROLED - POWER SUPPLY

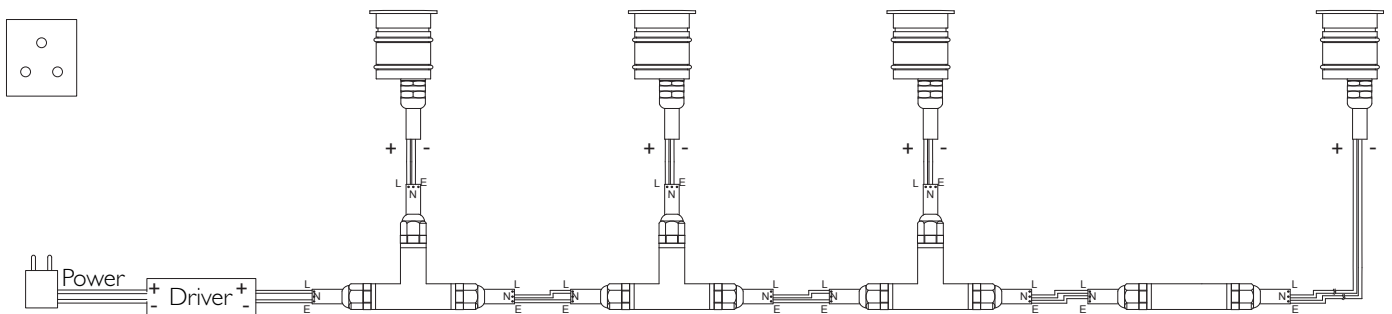
LED's	DRIVER OUTPUT
1 No	( 3-5 )V, 300 mA
( 3-5 ) Nos.	( 8-12 )V, 300 mA
( 4-8 ) Nos.	( 12-24 )V, 300 mA
( 8-12 ) Nos.	( 24-42 )V, 300 mA

### 3W - MINILED - POWER SUPPLY

LED's	DRIVER OUTPUT
1 No	( 3-5 )V, 600 mA
( 3-6 ) Nos.	( 9-25 )V, 900 mA
( 7-10 ) Nos.	( 20-36 )V, 900 mA

#### Wiring Diagram

Non Integral high voltage single colour fitting : refer to the following recommended wiring method.



The Individual lamps must be connected in series. Only power up the system once all the lamps have being connected.