

# Proxima



"Proxima" surfaced mounted range of LED ceiling lights are a perfect fit for varied lighting applications. The extruded aluminium housing is ideal for better thermal management. Different wattage available make this versatile for indoor lighting solutions.

## Technical Specifications

- Luminaire made of extruded aluminium for better thermal management.
- The lamp along with driver is housed inside the extruded hollow circular aluminium pipe.
- Polycarbonate optical lens cover for glare free uniform light distribution.
- Bracket to facilitate proper aiming of the luminaire at desired angle.
- Available in 12°, 24°, 36° beam angles
- Surface mounting on ceiling using hardware after connecting to the power supply.
- Cable entries for through-wiring of mains supply cable
- Protection class IP 20
- Prewired with LED driver and suitable for operation on 240V, 50Hz single phase ac supply.

## Product Benefits

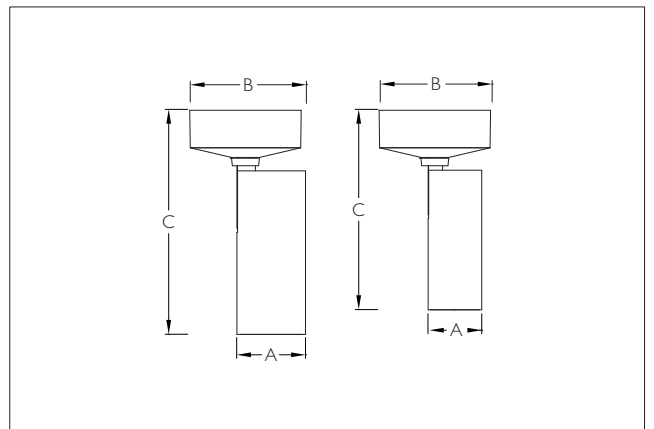
- High luminous efficiency at reduced wattage.
- Elegance, Functionality.
- Environmental friendly.
- Quick & simple installation.
- Sustainable LED technology offers durability and optimal light output with low power consumption.

## Area of Application

Retail Sector, Corporate, Malls, Restaurants, Receptions, Corridors, Commercial & Business Centers.

## Available Finish

Epoxy polyester powder coated white / black.



ID	Wattage	A	B	C
3680	12W LED	Ø50	104	185
3681	20W LED	Ø64	108	210

The luminous flux and the connected wattage quoted might change as a result of technical progress. For the latest technical information, Installation guidelines and product updates with LED service life please refer to the website at [www.klite.in](http://www.klite.in)



**Important Note :** To ensure proper installation, kindly translate / communicate the installation instructions to a qualified electrician in their respective local language.