

# Kayal Mini



Kayal Mini pathway luminaire, is an innovative design options to provide visual integration with the environment. Designed for high lumen efficiency at reduced wattage creating exceptional visual comfort. Product offered asymmetrical light distribution.

## Technical Specifications

- Luminaire body made of MS cylindrical tube anti-rust treated, both outer and inner finished with powder coated.
- Fully shielded light source for down lighting effects, integrated with 30W LED.
- Clear polycarbonate optical cover.
- Bracket section welded by certified welders using high end MIG welding processes.
- Suitable for mounting on 60mm OD Pipe.
- Cable entries for through-wiring of mains supply cable.
- Integral power supply
- Earth connection
- Safety class I
- Protection class IP68 for LED Module
- Prewired with LED driver and suitable for operation on 240V, 50Hz, single phase ac supply.

## Product Benefits

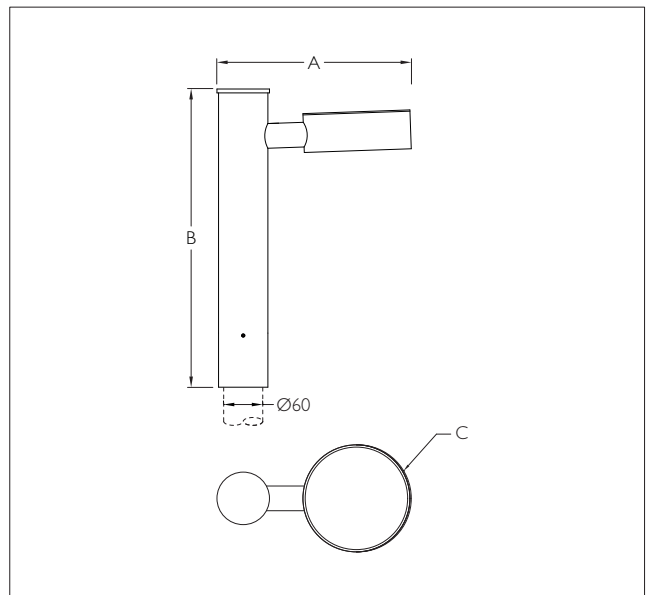
- High luminous efficiency at reduced wattage.
- Functionally versatile, strong and stable with sound engineering.
- Corrosion resistant and Maintenance free.
- Quick installation and low assembly costs.
- The fixture and the driver are designed to provide value technology ideally suited to Indian conditions.
- Sustainable LED technology offers durability and optimal light output with low power consumption.

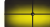

## Area of Application

Illuminating parks, Gardens, Commercial complex, Pathways in residential buildings & office complex.


## Available Finish

Bracket coated with epoxy zinc phosphate primer and finished using environmentally stable polyurethane based paint ( Standard colour : Black).



ID	Wattage	A	B	C
4888	 30W LED	300	460	Ø165
	 Asymmetrical Distribution			

For Accessory, Light Distribution & Installation Recommendation please refer to our website at [www.klite.in](http://www.klite.in)

 Important Note : To ensure proper installation, kindly translate / communicate the installation instructions to a qualified electrician in their respective local language.