

Navi



High efficiency LED landscape luminaires designed to provide directional spot light. The product design and construction of the luminaires are characterized by high luminous efficiency, an extremely long service life and uniform illuminance. Their sturdy construction makes them particularly suitable for areas where a high level of robustness is required.

Technical Specifications

- Extruded aluminium hood cover integrated with module and die cast aluminium control gear.
- Clear polycarbonate optical cover
- Heat resistant optical lens.
- Mounting bracket to facilitate proper aiming of the luminaire at desired angle.
- Cable entries for through-wiring of mains supply cable
- Available in 10°, 28° & 45° beam angles
- Non-Integral power supply
- Earth connection
- Safety class I
- Protection class IP67 for LED Module
- CE - Conformity mark
- Suitable for operation on 240V, 50Hz single phase ac supply.

Product Benefits

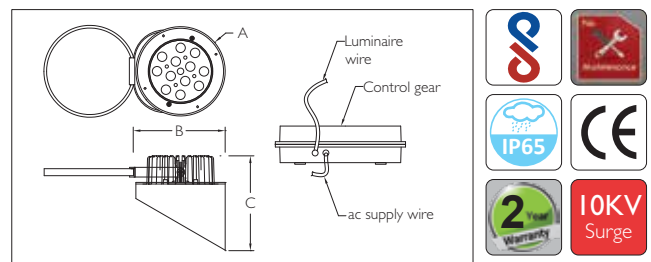
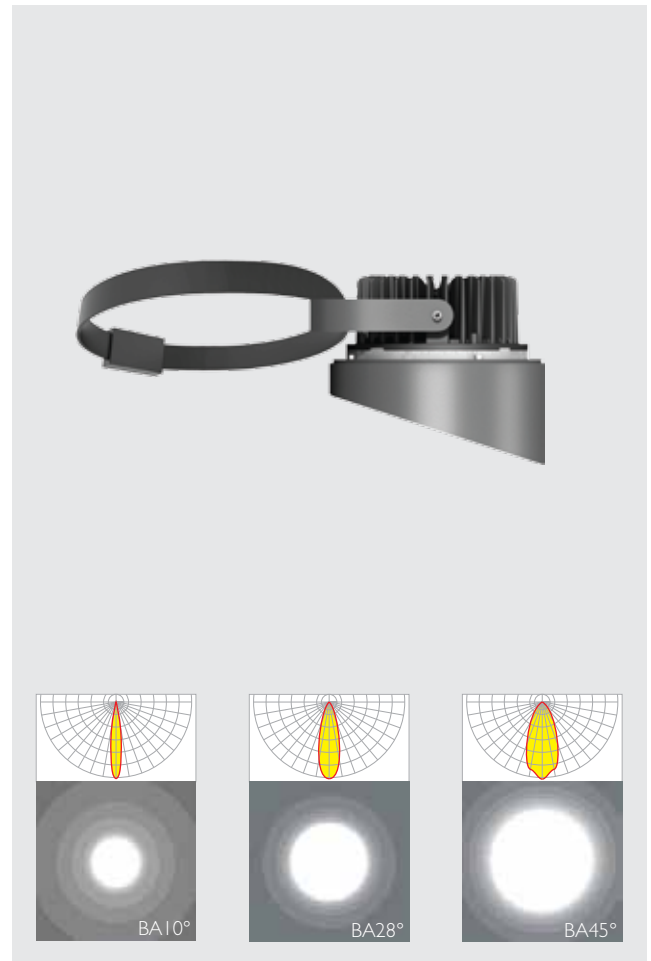
- High luminous efficiency at reduced wattage.
- Elegant, Robust design
- The fixture and the driver are designed to provide value technology ideally suited to Indian conditions.
- Sustainable LED technology offers durability and optimal light output with low power consumption.

Area of Application

Architectural and building facade lighting, Pathways, Parks, Sculptures, structures and Security lighting.

Available Finish

Pure polyester powder coated Graphite grey / Black.



ID	Wattage	A	B	C
4218	45W LED	Ø166	170	176

External control gear with 3M cable

For Accessory, Light Distribution & Installation Recommendation please refer to our website at www.klite.in

⚠ Important Note : To ensure proper installation, kindly translate / communicate the installation instructions to a qualified electrician in their respective local language.