

Clipper



Clipper Street Light Cut off lantern, integral model, totally weather proof aesthetically contoured. Improved long lasting protection against ingress of dust / moisture / insects inside optical compartment with bottom opening facility for maintenance.

Technical Specifications

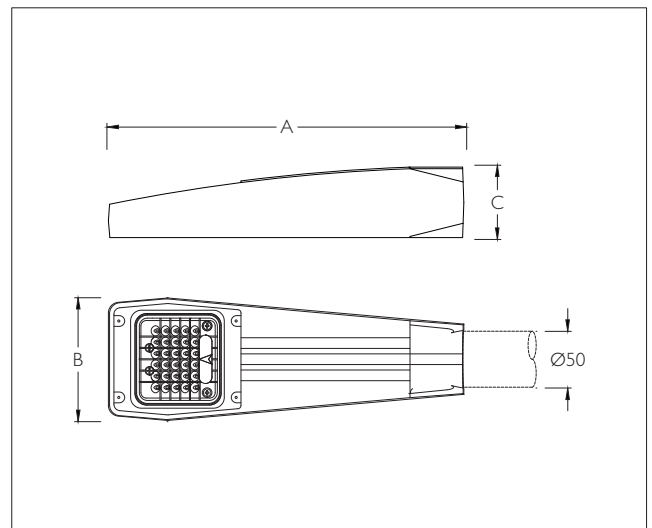
- Luminaire body made of die cast aluminium featuring high strength and anti corrosion.
- Bottom cover for easy maintenance.
- Integrated with 30W LED module.
- High brightness Lumileds Luxeon 3030 LEDs
- Clear polycarbonate optical cover.
- Suitable for mounting on 50mm OD pipe.
- Cable entries for through-wiring of mains supply cable
- Integral power supply
- Earth connection
- Safety class I
- Protection class : IP68 LED module
- CE - Conformity mark
- Prewired with LED driver and suitable for operation on 240V, 50Hz single phase ac supply.

Product Benefits

- High luminous efficiency at reduced wattage.
- Functionally versatile, strong and stable with sound engineering.
- Corrosion resistant and Maintenance free.
- Quick installation and low assembly costs.
- The fixture and the driver are designed to provide value technology ideally suited to Indian conditions.
- Sustainable LED technology offers durability and optimal light output with low power consumption.

Available Finish

Pure polyester powder coated Traffic Grey / Black.



ID	Wattage	A	B	C
4173	30W LED	330	114	66

For Area of Application, Accessory, Light Distribution & Installation Recommendation please refer to our website at www.klite.in

⚠ Important Note : To ensure proper installation, kindly translate / communicate the installation instructions to a qualified electrician in their respective local language.