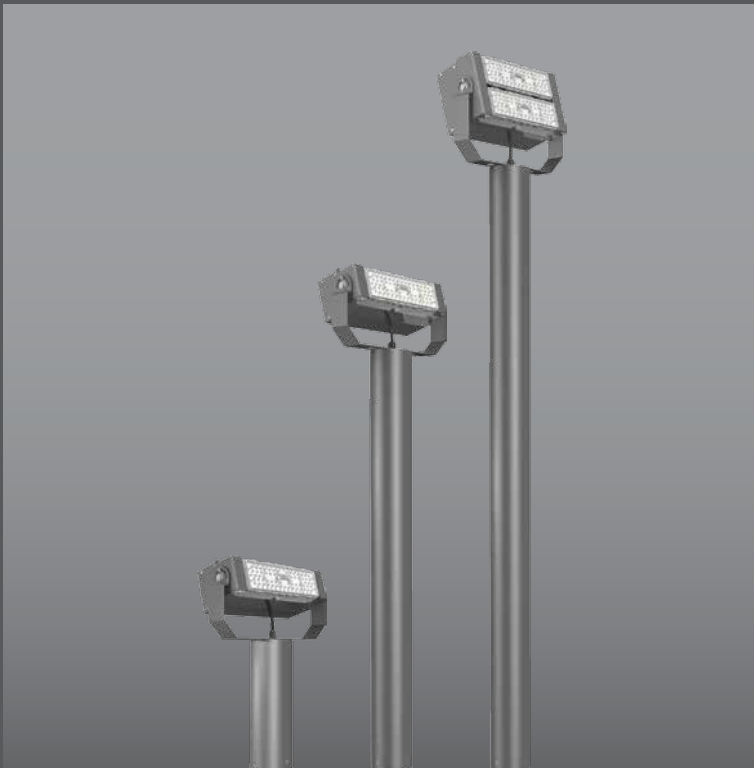




Introduces **ASTON TIDE**
Efficiency Upto 110 lm/w



Aston Tide



High efficiency LED flood light luminaires designed to provide directional wall throw. The product design and construction of the luminaires are characterized by high luminous efficiency, an extremely long service life and uniform illuminance. Their sturdy construction makes them particularly suitable for areas where a high level of robustness is required.

Technical Specifications

- Modules integrated with a self supported frame work and extruded aluminium alloy (grade 6063) pipe.
- Clear polycarbonate optical cover.
- Excellent thermal management heat sink.
- Mounting bracket to facilitate proper aiming of the luminaire at desired angle.
- Cable entries for through-wiring of mains supply cable.
- Available in 25°, 40° & 60° beam angles.
- Integral power supply options.
- Earth connection
- Safety class I
- Protection class IP68 for LED Module and IP67 for LED Driver
- CE - Conformity mark
- Suitable for operation on 240V, 50Hz single phase ac supply.

Product Benefits

- High luminous efficiency at reduced wattage.
- Versatile use, Simple installation
- Multiplicity of optics
- The fixture and the driver are designed to provide value technology ideally suited to Indian conditions.
- Sustainable LED technology offers durability and optimal light output with low power consumption.

Area of Application

Architectural and building facade lighting, Pathways, Parks, Sculptures, structures and Security lighting.

Available Finish

Pure polyester powder coated Graphite grey.



FLOOD LIGHTS



The luminous flux and the connected wattage quoted might change as a result of technical progress. For the latest technical information, installation guidelines and product updates with LED service life please refer to the website at www.klite.in



Important Note : To ensure proper installation, kindly translate / communicate the installation instructions to a qualified electrician in their respective local language.



Aston Tide I & 2

ID	Wattage	A	B	C	Mounting
4215	1 x 60W LED	342	135	520	Fig. I
4216	1 x 60W LED	342	135	1180	Fig. I
4217	2 x 60W LED	342	135	1745	Fig. I

