

# Juno Quarto



A modern heritage post top luminaire upgraded with high performance light engines. Aesthetically designed sturdy construction ensures a long life against all weather condition, maintaining initial performances through the lifetime of the installation. Designed for highest efficiency in terms of more lumens at reduced wattages.

## Technical Specifications

- The luminaire comprises of HDPE canopy with specially designed cap with fabricated square shape pre-coated sheet steel, or alternatively heavy gauge CRCA sheet, effectively anti-rust treated and finished with powder coated.
- Diffuser placed into the provision formed on the periphery of the bottom cover.
- Non yellowing UV stabilized translucent acrylic diffuser.
- Die cast aluminium spigot base with aluminium alloy of low copper content for effective corrosion resistance.
- Low power loss LED driver with 48W LED.
- Suitable for mounting on 60mm OD pipe.
- Cable entries for through-wiring of mains supply cable.
- Integral power supply
- Earth connection
- Safety class I
- Suitable for operation on 240V, 50Hz single phase ac supply.

## Product Benefits

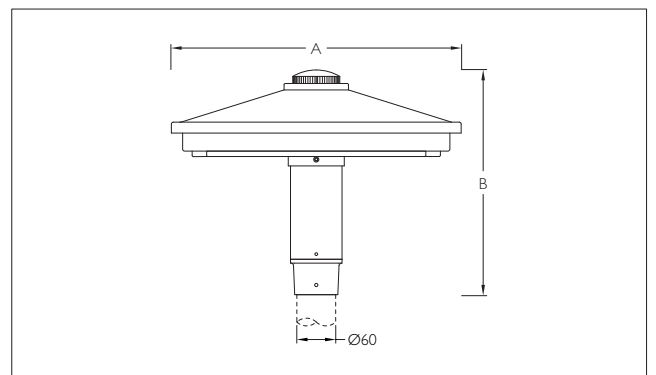
- High luminous efficiency at reduced wattage.
- Elegant, Functionality
- Dark sky compliant protects pedestrians from glare, in addition to preventing spill light above the horizontal plane.
- Sustainable LED technology offers durability and optimal light output with low power consumption.

## Area of Application

Illuminating parks, Gardens, commercial complex, Pathways in residential buildings, office complex & Entrances.

## Available Finish

Pure polyester powder coated Black.



ID	Wattage	A	B
4924	48W LED	□450	350



The luminous flux and the connected wattage quoted might change as a result of technical progress. For the latest technical information, Installation guidelines and product updates with LED service life please refer to the website at [www.klite.in](http://www.klite.in)



**Important Note :** To ensure proper installation, kindly translate / communicate the installation instructions to a qualified electrician in their respective local language.