

# Stencil



A modern heritage post top luminaire upgraded with high performance light engines. Aesthetically designed sturdy construction ensures a long life against all weather condition, maintaining initial performances through the lifetime of the installation. Designed for highest efficiency in terms of more lumens at reduced wattages.

## Technical Specifications

- The luminaire totally weather proof with housing made of rectangular tube, integrated with supporting arms and extruded pipe along with die cast aluminium base.
- Diffuser placed into the provision formed on the periphery of the bottom cover.
- Non yellowing UV stabilized translucent acrylic diffuser.
- Low power loss LED driver with 40W LED.
- Suitable for mounting on 60mm OD pipe.
- Cable entries for through-wiring of mains supply cable (max. 3 x 0.5 Sqmm)
- Integral power supply
- Earth connection
- Safety class I
- Protection class IP54
- CE - Conformity mark
- Suitable for operation on 240V, 50Hz single phase ac supply.

## Product Benefits

- High luminous efficiency at reduced wattage.
- Elegant, Functionality
- Dark sky compliant protects pedestrians from glare, in addition to preventing spill light above the horizontal plane.
- Sustainable LED technology offers durability and optimal light output with low power consumption.

## Area of Application

Illuminating parks, Gardens, commercial complex, Pathways in residential buildings, office complex & Entrances.

## Available Finish

Pure polyester powder coated Black.

## Accessory


A separate IP67 rated connector can be supplied for a secure connection to the network.

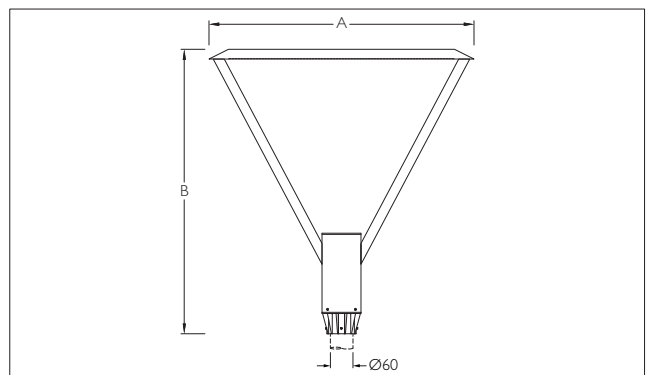
## Light Distribution

Luminaire photometric data IES files for the light planning program DIALux can be downloaded in IES-format on the K-LITE web page [www.klite.in](http://www.klite.in)

## Installation Recommendation

For latest technical information, Installation guidelines and product updates please refer to our website at [www.klite.in](http://www.klite.in)

 Important Note : To ensure proper installation, kindly translate / communicate the installation instructions to a qualified electrician in their respective local language.



ID	Wattage	A	B
5383	40W LED	Ø680	730