

# Polar Panel - Side Lit



"Polar Panel" recess mounted, energy efficient LED panel luminaire, tailored to suit armstrong ceiling is a slim and elegantly designed fixture, ideally suited for office and software industry applications offers a uniform, glareless, cool white and soft lighting in the work-space. LED designed for highest efficiency in terms of more lumens at reduced wattages contributing to a Greener World.

## Technical Specifications

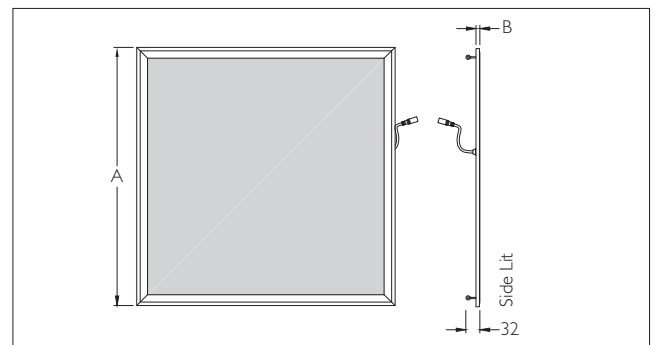
- Luminaire made of aluminium.
- High efficiency polystyrene diffuser for glare free, uniform light distribution.
- The Luminaire Integrated with 40W LED.
- Cable entries for through-wiring of mains supply cable
- Beam Angle 120°
- Protection class IP20
- Prewired with constant current LED driver and suitable for operation on 240V, 50Hz single phase ac supply.
- Ordering guide : KL-2270-CCT ( Colour Temperature )
- Available CCT WW : Warm White (3000K), CW : Cool White (6000K), NW : Neutral White ( 4000K)

## Product Benefits

- Versatile, Efficient and Aesthetics all in one.
- Modern timeless design in high quality housing and optics for optimal performance.
- Attractive high quality housing & optics.
- Visual comfort with maximum energy saving.
- Sturdy construction in order to maintain performance of the luminaire and to reduce maintenance costs.

## Available Finish

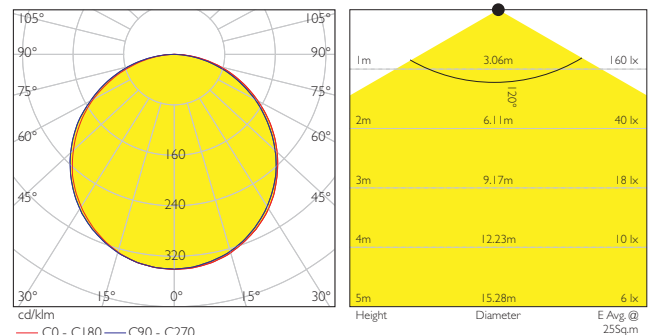
White epoxy polyester powder coating.



ID	Wattage	A	B
2270	40W LED	□596	9



## Photometric Data



The luminous flux and the connected wattage quoted might change as a result of technical progress. For the latest technical information, Installation guidelines and product updates with LED service life please refer to the website at [www.klite.in](http://www.klite.in)



**Important Note :** To ensure proper installation, kindly translate / communicate the installation instructions to a qualified electrician in their respective local language.