

A modern heritage post top luminaire upgraded with high performance light engines. Aesthetically designed sturdy construction ensures a long life against all weather condition, maintaining initial performances through the lifetime of the installation. Designed for highest efficiency in terms of more lumens at reduced wattages.

## Technical Specifications

- The luminaire totally weather proof with housing made of die cast aluminium.
- Diffuser placed into the provision formed on the periphery of the bottom cover.
- Lamp compartment encased in non yellowing UV stabilized translucent polycarbonate diffuser.
- Luminaire integrated with 50W LED.
- Suitable for mounting on 76mm OD pipe.
- Cable entries for through-wiring of mains supply cable.
- Integral power supply
- Earth connection
- Safety class I
- Protection class IP54
- **CE** - Conformity mark
- Suitable for operation on 240V, 50Hz single phase ac supply.

## Product Benefits

- High luminous efficiency at reduced wattage.
- Elegance, Functionality.
- Environmental friendly, moisture proof, insect free.
- The diffuser contributes to the creation of ambience and to visual comfort by reducing glare.
- Low maintenance cost.
- Sustainable LED technology offers durability and optimal light output with low power consumption.

## Area of Application

Illuminating parks, Gardens, commercial complex, Pathways in residential buildings & office complex.

## Available Finish

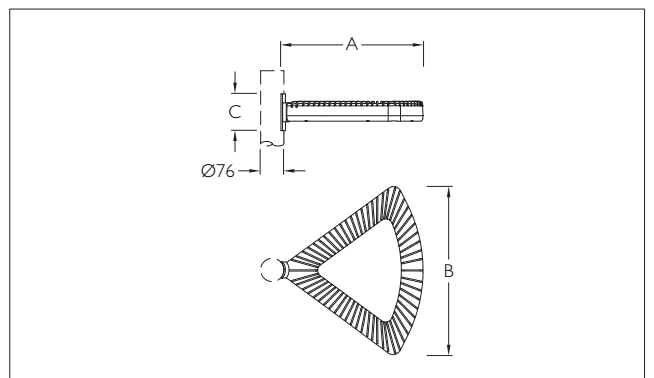
Pure polyester powder coated Grey.

## Accessory

A separate IP67 rated connector can be supplied for a secure connection to the network.

## Installation Recommendation

For latest technical information, Installation guidelines and product updates please refer to our website at [www.klite.in](http://www.klite.in)



ID	Wattage	A	B	C
5368	50W LED	465	550	120