



Disc

A modern heritage post top luminaire upgraded with high performance light engines. Aesthetically designed sturdy construction ensures a long life against all weather condition, maintaining initial performances through the lifetime of the installation. Designed for highest efficiency in terms of more lumens at reduced wattages.

Technical Specifications

- Aluminium housing, integrated with extruded aluminium pipe along with die cast aluminium base.
- Diffuser placed into the provision formed on the periphery of the bottom cover.
- Non yellowing UV stabilized translucent acrylic diffuser.
- Low power loss LED driver with 45W LED.
- Suitable for mounting on 60mm OD pipe.
- Cable entries for through-wiring of mains supply cable (max. 3 x 0.5 Sqmm)
- Integral power supply
- Earth connection
- Safety class I
- Protection class IP54
- CE - Conformity mark
- Suitable for operation on 240V, 50Hz single phase ac supply.

Product Benefits

- High luminous efficiency at reduced wattage.
- Elegant, Functionality
- Dark sky compliant protects pedestrians from glare, in addition to preventing spill light above the horizontal plane.
- Sustainable LED technology offers durability and optimal light output with low power consumption.

Area of Application

Illuminating parks, Gardens, commercial complex, Pathways in residential buildings, office complex & Entrances.

Available Finish

Pure polyester powder coated Black.

Accessory

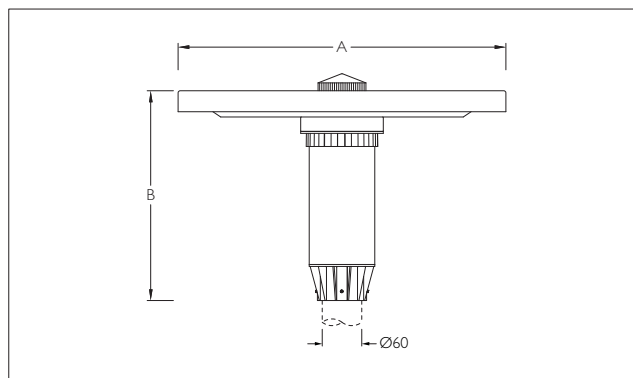
A separate IP67 rated connector can be supplied for a secure connection to the network.

Light Distribution


Luminaire photometric data IES files for the light planning program DIALux can be downloaded in IES-format on the K-LITE web page www.klite.in

Installation Recommendation

For latest technical information, Installation guidelines and product updates please refer to our website at www.klite.in



ID	Wattage	A	B
5382	45W LED	Ø500	320

 Important Note : To ensure proper installation, kindly translate / communicate the installation instructions to a qualified electrician in their respective local language.