

Magudam Midi



A modern heritage post top luminaire upgraded with high performance light engines. Aesthetically designed sturdy construction ensures a long life against all weather condition, maintaining initial performances through the lifetime of the installation. Designed for highest efficiency in terms of more lumens at reduced wattages.

Technical Specifications

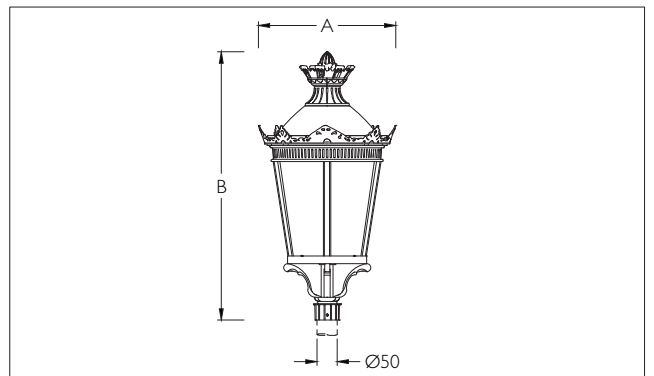
- The luminaire comprises of specially contoured spun aluminium top cover.
- Die cast aluminium magudam attachment added for aesthetics.
- Translucent diffuser for glare free light distribution.
- The lamp along with driver is housed at the top portion and the bottom portion attached to a mounting base.
- Suitable for mounting on 50mm OD pipe.
- Cable entries for through-wiring of mains supply cable
- Integral power supply
- Earth connection
- Safety class I
- Protection class IP03
- CE - Conformity mark
- Suitable for operation on 240V, 50Hz single phase ac supply.

Product Benefits

- High luminous efficiency at reduced wattage.
- Elegance, Functionality.
- Environmental friendly.
- Dark sky compliant protects pedestrians from glare, in addition to preventing spill light above the horizontal plane.
- Sustainable LED technology offers durability and optimal light output with low power consumption.

Area of Application

Illuminating parks, Gardens, commercial complex, Pathways in residential buildings & office complex.



ID	Wattage	A	B
4932	30W LED	Ø350	680
4920	E27	Ø350	680

Max. Wattage E27 : 30W LED / 45W CFLE

The luminous flux and the connected wattage quoted might change as a result of technical progress. For the latest technical information, Installation guidelines and product updates with LED service life please refer to the website at www.klite.in



Important Note : To ensure proper installation, kindly translate / communicate the installation instructions to a qualified electrician in their respective local language.