



Fanos Mini

Surface mounted range of LED wall lights are a perfect fit for varied outdoor lighting applications. Designed to illuminate the wall and surface in front of wall and for light accents on vertical surfaces. Aesthetically designed sturdy construction ensures a long life against all weather condition, maintaining initial performances through the lifetime of the installation.

Technical Specifications

- Luminaire with fully shielded light source for down lighting effects, integrated with 16W LED.
- Extruded hollow circular pipe with polycarbonate diffuser on bottom.
- Bracket section welded with mounting base by certified welders, using high end MIG welding processes.
- Fabricated rectangular galvanised sheet for surface mounting on wall using hardware after connecting to the power supply.
- Cable entries for through-wiring of mains supply cable.
- Protection class IP53
- CE - Conformity mark
- Prewired with constant current LED driver and suitable for operation on 240V, 50Hz single phase ac supply.

Product Benefits

- High luminous efficiency at reduced wattage.
- Quick & simple installation.
- Functionally versatile, strong and stable with sound engineering.
- Sustainable LED technology offers durability and optimal light output with low power consumption.

Area of Application

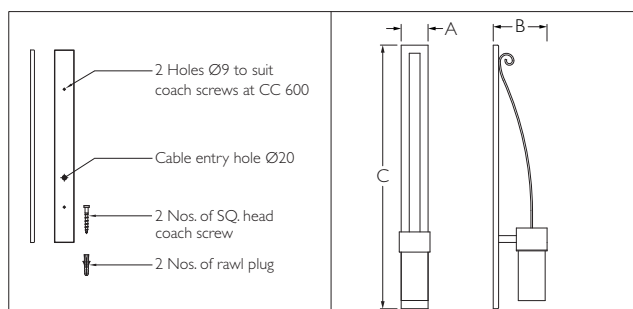
Commercial complex, Pathways in residential buildings & office complex.

Available Finish

Pure polyester powder coated Black.



WALL BRACKETS



ID	Wattage	A	B	C
7695	16W LED	115	200	980

The luminous flux and the connected wattage quoted might change as a result of technical progress. For the latest technical information, Installation guidelines and product updates with LED service life please refer to the website at www.klite.in



Important Note : To ensure proper installation, kindly translate / communicate the installation instructions to a qualified electrician in their respective local language.