

Navi Dixon



Navi Dixon luminaire with asymmetrical light distribution providing indirect lighting outstanding visual appeal and precision optical system with very low glare rating. The Light of the built-in high performance floodlight is directed by the top reflector, creating a particularly soft and uniform light distribution. The Pole is made of MS.

Technical Specifications

- Extruded aluminium hood cover integrated with module
- Clear polycarbonate optical lens
- Mounting bracket to facilitate proper aiming of the luminaire at desired angle.
- Reflector system made of CRCA sheet (powder coated white for high reflection).
- Protection class IP67 for LED Module
- Surface mounted with base plate and fitted on a pre formed foundation.
- Cable entries for through-wiring of mains supply cable
- Integral power supply
- Pole section welded to base plate by certified welders using high end MIG welding processes.
- Built-in control box with cast aluminium service door including safety rope.
- Prewired with MCB, loopin loopout and terminal block complete with all accessories and suitable for operation on 240V, 50Hz single phase ac supply.

Product Benefits

- Practical . Elegant . Efficient
- Timeless modern design options.
- Soft diffused lighting protects pedestrians from glare and provides distinctive lighting with exceptional visual comfort.
- Sustainable LED technology offers durability and optimal light output with low power consumption.

Area of Application

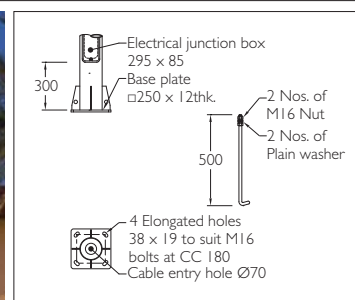
Suitable for Private & Public areas, Illuminating Driveways, Pathways, Boulevard's, Entrances, Squares & Gardens.

Available Finish

Coated with epoxy zinc phosphate primer and finished using environmentally stable polyurethane based paint.



ID	Wattage	A	B	C
7080	45W LED	985	785	5000



The luminous flux and the connected wattage quoted might change as a result of technical progress. For the latest technical information, Installation guidelines and product updates with LED service life please refer to the website at www.klite.in



Important Note : To ensure proper installation, kindly translate / communicate the installation instructions to a qualified electrician in their respective local language.