

# Shine



"Shine" pendant luminaires are a perfect fit for varied lighting applications. The spun aluminium housing is ideal for better thermal management. Elegantly designed fixture under the green lighting, energy efficient category.

## Technical Specifications

- Luminaire made of spun aluminium for better thermal management.
- UV stabilized translucent acrylic diffuser for excellent diffused lighting experience throughout the life of the fixture.
- Designed for mounting on ceiling with stainless steel suspension kit (1 meter).
- Cable entries for through-wiring of mains supply cable.
- Prewired with constant current LED driver and suitable for operation on 240V, 50Hz single phase ac supply.
- Ordering guide : KL-3036-CCT ( Colour Temperature )
- Available CCT WW : Warm White (3000K), CW : Cool White (6000K).

## Product Benefits

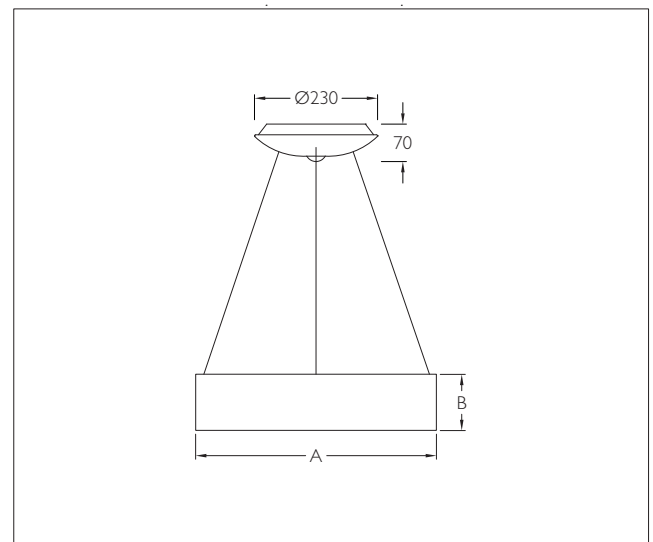
- Attractive high quality housing and optics.
- Visual comfort with maximum energy saving
- Sturdy construction in order to maintain performance of the luminaire and to reduce maintenance costs.
- Replacement of existing CFL lights with even better performance.
- Quick & simple installation.
- Flexible deployment options with a wide spectrum of applications.

## Area of Application

Corporate Offices, Malls, Restaurants, Receptions, Corridors, Commercial & Business Centers.

## Available Finish

Sliver / Rose gold epoxy polyester powder coating.



ID	Wattage	A	B
3036	27W LED	Ø450	108
3037	36W LED	Ø595	108



The luminous flux and the connected wattage quoted might change as a result of technical progress. For the latest technical information, Installation guidelines and product updates with LED service life please refer to the website at [www.klite.in](http://www.klite.in)



**Important Note :** To ensure proper installation, kindly translate / communicate the installation instructions to a qualified electrician in their respective local language.