



Moon Midi / Moon

"Moon" Pendant luminaire decorative design for interior lighting with rotationally symmetrical, uniform illumination on ground. The spun aluminium housing is ideal for better thermal management. Elegantly designed fixture under the green lighting, energy efficient category.

Technical Specifications

- Luminaire made of spun aluminium for better thermal management.
- UV stabilized translucent acrylic diffuser for excellent diffused lighting experience throughout the life of the fixture.
- Designed for mounting on ceiling with stainless steel suspension kit (1 meter).
- Cable entries for through-wiring of mains supply cable (max. 3 x 0.5 Sqmm)
- Protection class IP20
- CE - Conformity mark
- Prewired with constant current LED driver and suitable for operation on 240V, 50Hz single phase ac supply.
- Ordering guide : KL-3041-CCT (Colour Temperature)
- Available CCT WW : Warm White (3000K), CW : Cool White (6000K).

Product Benefits

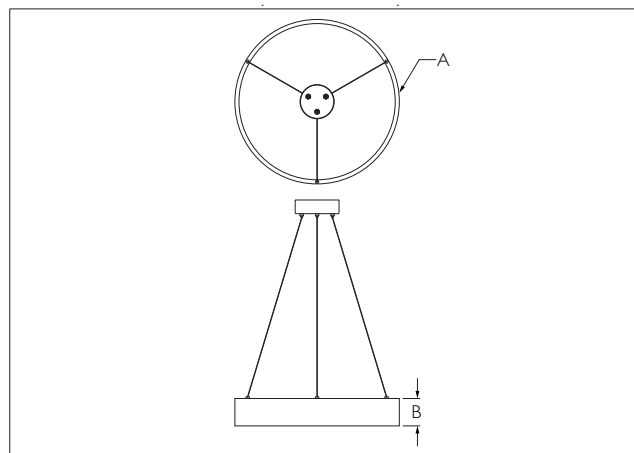
- Attractive high quality housing and optics.
- Visual comfort with maximum energy saving
- Sturdy construction in order to maintain performance of the luminaire and to reduce maintenance costs.
- Quick & simple installation.
- Flexible deployment options with a wide spectrum of applications.

Area of Application

Corporate Offices, Malls, Restaurants, Receptions, Corridors, Commercial & Business Centers.

Available Finish

Black / White epoxy polyester powder coating.




ID	Wattage	A	B
3041	32W LED	Ø450	100
3042	84W LED	Ø600	100

Light Distribution

Luminaire photometric data IES files for the light planning program DIALux can be downloaded in IES-format on the K-LITE web page www.klite.in.

Installation Recommendation

For latest technical information, Installation guidelines and product updates please refer to our website at www.klite.in

 Important Note : To ensure proper installation, kindly translate / communicate the installation instructions to a qualified electrician in their respective local language.