

# Juno



"Juno" pendant luminaires are a perfect fit for varied lighting applications. The spun aluminium housing is ideal for better thermal management. Elegantly designed fixture under the green lighting, energy efficient category.

## Technical Specifications

- Luminaire made of spun aluminium for better thermal management
- Diffuser placed into the provision formed on the periphery of the bottom cover.
- Non yellowing UV stabilized translucent acrylic diffuser.
- Low power loss LED driver.
- Supplied with adjustable stainless steel suspension kit (1 metre).
- Cable entries for through-wiring of mains supply cable.
- Integral power supply
- Protection class IP50
- CE - Conformity mark
- Suitable for operation on 240V, 50Hz single phase ac supply.

## Product Benefits

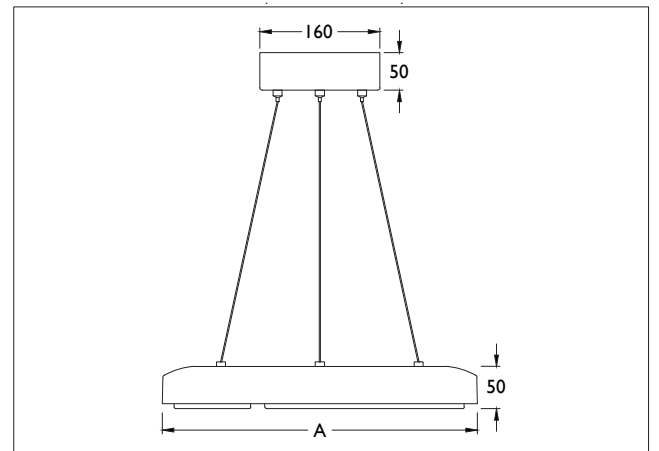
- High luminous efficiency at reduced wattage.
- Elegant, Functionality
- Dark sky compliant protects pedestrians from glare, in addition to preventing spill light above the horizontal plane.
- Sustainable LED technology offers durability and optimal light output with low power consumption.

## Area of Application

Corporate Offices, Malls, Restaurants, Receptions, Corridors, Commercial & Business Centers.

## Available Finish

Silver / Gold epoxy polyester powder coating.



ID	Wattage	A
3022	36W LED	Ø420
3009	60W LED	Ø600

The luminous flux and the connected wattage quoted might change as a result of technical progress. For the latest technical information, Installation guidelines and product updates with LED service life please refer to the website at [www.klite.in](http://www.klite.in)



**Important Note :** To ensure proper installation, kindly translate / communicate the installation instructions to a qualified electrician in their respective local language.