

# Alpina

"Alpina" pendant luminaires are a perfect fit for varied lighting applications. The spun aluminium housing is ideal for better thermal management. A perfect range of luminaires suitable for both commercial and residential applications.

## Product Description

- Luminaire made of spun aluminium with flat cap on the top.
- The reflector formed out of high purity and highly polished aluminium, electro chemically brightened and anodised for high reflection.
- Cable entries for through-wiring of mains supply cable.
- Designed for mounting on ceiling with stainless steel suspension kit (1 meter).
- Protection class IP20
- CE - Conformity mark
- Suitable for operation on 240V, 50Hz single phase ac supply.

## Product Benefits

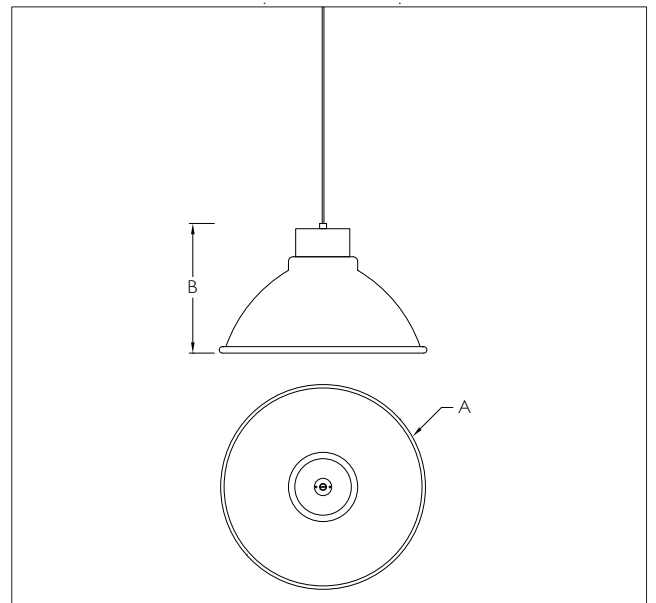
- Attractive high quality housing and optics.
- Sturdy construction in order to maintain performance of the luminaire and to reduce maintenance costs.
- Quick & simple installation.
- Flexible deployment options with a wide spectrum of applications.

## Area of Application

Corporate Offices, Malls, Restaurants, Receptions, Corridors, Commercial & Business Centers.

## Available Finish

Epoxy polyester powder coated Black & polyurethane yellow paint.



ID	Wattage	A	B
3045	E27	Ø360	236



For the latest technical information, Installation guidelines and product updates please refer to the website at [www.klite.in](http://www.klite.in)



**Important Note :** To ensure proper installation, kindly translate / communicate the installation instructions to a qualified electrician in their respective local language.