

# Cubus



"Cubus" surfaced mounted range of LED ceiling lights are a perfect fit for varied lighting applications. The die cast aluminium housing is ideal for better thermal management. High lumen output / Different wattage available make this versatile for indoor lighting solutions.

## Technical Specifications

- Luminaire made of die-cast aluminium for better thermal management.
- Pressure die-cast aluminium inner ring with reflector for uniform light distribution.
- High PF constant current LED driver.
- Cable entries for through-wiring of mains supply cable (max. 3 x 0.5 Sqmm)
- Protection class IP 20
- CE - Conformity mark
- Suitable for operation on 240V, 50Hz single phase ac supply.

## Product Benefits

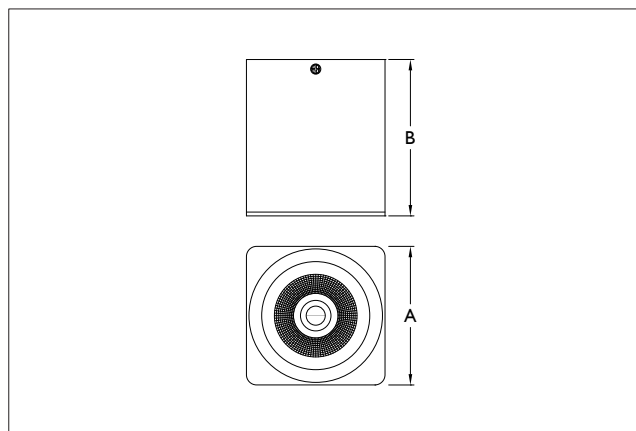
- Excellent efficiency for high energy savings of up to 80% compared to CFL downlights.
- Replacement of existing CFL downlights with even better performance.
- Quick & simple installation.
- Flexible deployment options with a wide spectrum of applications.

## Area of Application

Lobbies & Foyers, Retail Sector, Corridors, Corporate, Residential & Educational premises, Hospitality Industry, Commercial & Business Centers.

## Available Finish

White epoxy polyester powder coating.




ID	Wattage	A	B
7348	15W LED	□ 110	120
7349	25W LED	□ 130	135
7350	35W LED	□ 160	165

## Light Distribution

Luminaire photometric data IES files for the light planning program DIALux can be downloaded in IES-format on the K-LITE web page [www.klite.in](http://www.klite.in).

## Installation Recommendation

For latest technical information, Installation guidelines and product updates please refer to our website at [www.klite.in](http://www.klite.in)

 Important Note : To ensure proper installation, kindly translate / communicate the installation instructions to a qualified electrician in their respective local language.