

Cylin



"Cylin" surfaced mounted range of LED ceiling lights are a perfect fit for varied lighting applications. The die cast aluminium housing is ideal for better thermal management. High lumen output / Different wattage available make this versatile for indoor lighting solutions.

Technical Specifications

- Luminaire made of die-cast aluminium for better thermal management.
- Pressure die-cast aluminium inner ring with reflector for uniform light distribution.
- High PF constant current LED driver.
- Cable entries for through-wiring of mains supply cable (max. 3 x 0.5 Sqmm)
- Protection class IP 20
- CE - Conformity mark
- Suitable for operation on 240V, 50Hz single phase ac supply.

Product Benefits

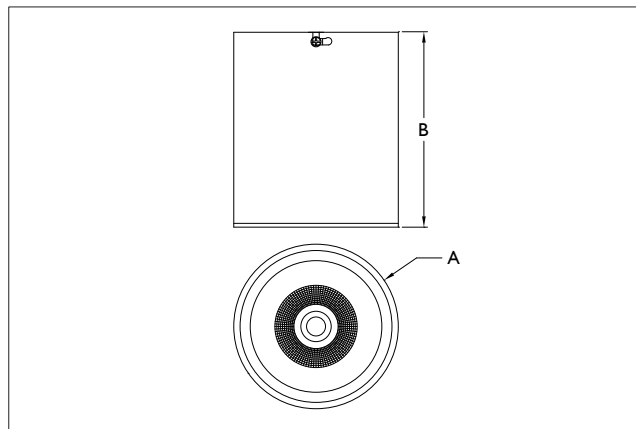
- Excellent efficiency for high energy savings of up to 80% compared to CFL downlights.
- Replacement of existing CFL downlights with even better performance.
- Quick & simple installation.
- Flexible deployment options with a wide spectrum of applications.

Area of Application

Lobbies & Foyers, Retail Sector, Corridors, Corporate, Residential & Educational premises, Hospitality Industry, Commercial & Business Centers.

Available Finish

White epoxy polyester powder coating.




ID	Wattage	A	B
7345	15W LED	Ø110	120
7346	25W LED	Ø130	150
7347	35W LED	Ø170	195

Light Distribution

Luminaire photometric data IES files for the light planning program DIALux can be downloaded in IES-format on the K-LITE web page www.klite.in.

Installation Recommendation

For latest technical information, Installation guidelines and product updates please refer to our website at www.klite.in

 Important Note : To ensure proper installation, kindly translate / communicate the installation instructions to a qualified electrician in their respective local language.