

Shamiana



These flower bed luminaire is a combination of low height tube. These luminaires offer shielded glare free illumination of ground surface and are perfect for illuminating entrances, footpaths as well as garden and landscape architecture. Clean Lines and pure form are the underlying elements of this LED bollards, designed to provide light emission of 360°.

Technical Specifications

- Luminaire made of extruded aluminium alloy (grade 6063) with die-cast aluminium components and non corrosive SS fasteners
- Translucent diffuser formed from non yellowing acrylic sheet.
- Reflector system made of spun aluminium top cover serving as a canopy for the fitting.
- Cast Iron mounting plate with an anchorage unit made out of hot dip galvanised steel for extra guarantee against corrosion. Luminaire can be aligned on the mounting plate around 360°.
- Cable entries for through-wiring of mains supply cable.
- Integral power supply
- Earth connection
- Safety class I
- Protection class IP 54
- Suitable for operation on 240V, 50Hz single phase ac supply.

Product Benefits

- Elegance, Functionality.
- Environmental friendly.
- Dark sky compliant protects pedestrians from glare, in addition to preventing spill light above the horizontal plane.
- Sustainable LED technology offers durability and optimal light output with low power consumption.

Area of Application

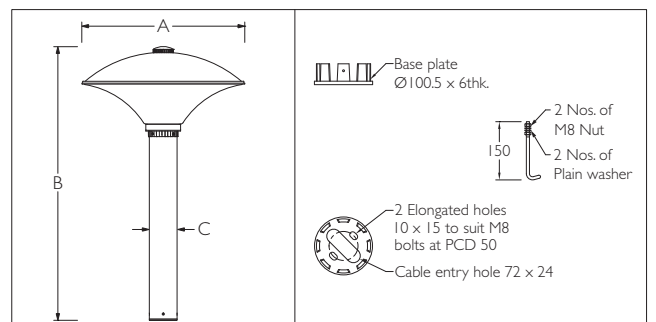
Suitable for Residential & Public areas for Illuminating Driveways, Pathways, Flowerbeds, Entrances, Squares, Gardens and as well as landscape architecture.

Available Finish

Pure polyester powder coated Graphite grey / Black.



TUBE BOLLARDS



ID	Wattage	A	B	C
5800	45W LED	Ø590	980	Ø100



The luminous flux and the connected wattage quoted might change as a result of technical progress. For the latest technical information, Installation guidelines and product updates with LED service life please refer to the website at www.klite.in



Important Note : To ensure proper installation, kindly translate / communicate the installation instructions to a qualified electrician in their respective local language.