

Aesthetically designed sturdy construction ensures a long life against all weather condition, maintaining initial performances through the lifetime of the installation. Low glare indirect post top luminaire designed for symmetrical light distribution.

### Technical Specifications

- Die cast aluminium spigot base integrated with extruded aluminium pipe and a collar.
- Reflector system made of spun aluminium white powder coated for high reflection and supporting brackets.
- The lamp along with control gear is housed inside and covered with a toughened glass diffuser at the top portion of extruded aluminium tube and the bottom portion attached to a mounting base.
- Suitable for mounting on 60mm OD pipe.
- Cable entries for through-wiring of mains supply cable
- Integral power supply
- Earth connection
- Safety class I
- Protection class IP54
- CE - Conformity mark
- Suitable for operation on 240V, 50Hz single phase ac supply.

### Product Benefits

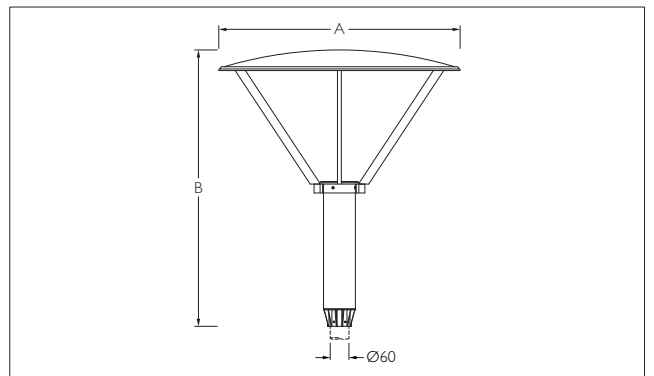
- High luminous efficiency at reduced wattage.
- Elegant, Functionality
- Environmental Friendly
- Sustainable LED technology offers durability and optimal light output with low power consumption.

### Area of Application

Illuminating parks, Gardens, commercial complex, Pathways in residential buildings & office complex.

### Available Finish

Pure polyester powder coated Black.



ID	Wattage	A	B
4989	70W MH G12	Ø765	855
4990	20W LED	Ø765	855

### Accessory

A separate IP67 rated connector can be supplied for a secure connection to the network.

### Light Distribution

Luminaire photometric data IES files for the light planning program DIALux can be downloaded in IES-format on the K-LITE web page

### Installation Recommendation

For latest technical information, Installation guidelines and product updates please refer to our website at [www.klite.in](http://www.klite.in)

Important Note : To ensure proper installation, kindly translate / communicate the installation instructions to a qualified electrician in their respective local language.