

LED Linear Wall Washer



"LED Linear Lighting" surface mounted, energy efficient LED luminaire, elegantly designed fixture, corrosion resistant coating, and the special heat dissipation design ensures the best performance and life span. LED designed for highest efficiency in terms of more lumens at reduced wattages contributing to a Greener World.

Technical Specifications

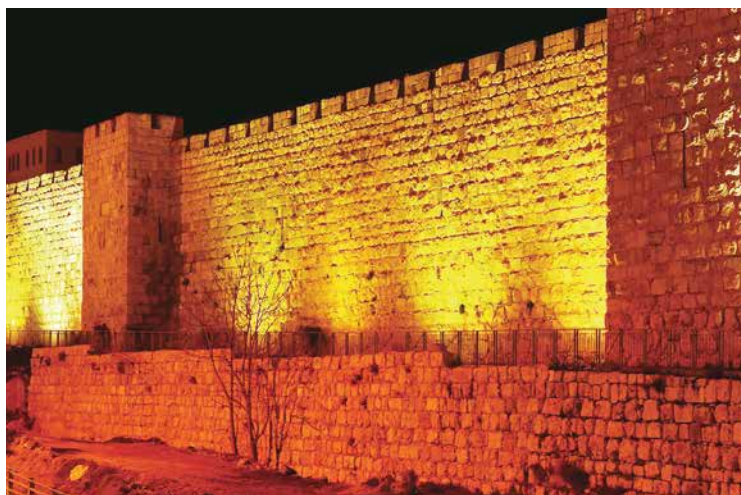
- Luminaire made up of extruded aluminium for better thermal management.
- Clear lines, corrosion resistant.
- Tempered glass diffuser for excellent diffused lighting experience throughout the life of the fixture.
- Beam angle : 10° x 60°
- Operating Temperature : -40°C~+50°C
- Mounting bracket with tilting feature to facilitate proper aiming of the luminaire at desired angle.
- Cable entries for through-wiring of mains supply cable
- Protection class IP65

Product Benefits

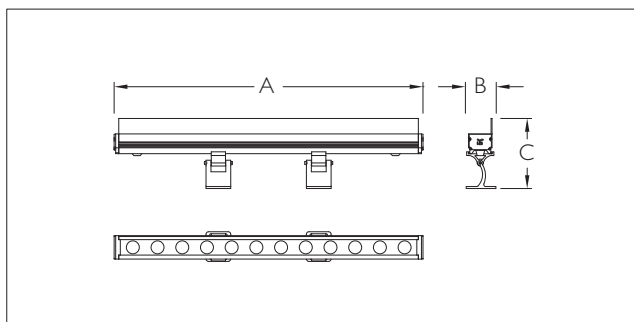
- Attractive high quality housing.
- Visual comfort with maximum energy saving
- Sturdy construction in order to maintain performance of the luminaire and to reduce maintenance costs.
- Quick & simple installation.
- Flexible deployment options with a wide spectrum of applications.

Area of Application

Building Facade, Signage, Building mounted focal points, Bridges, Roadway Interchanges, Ideal for parking lots.



LINEAR WALL WASHERS



ID	Volt	Wattage	A	B	C
3092	24V dc	12W LED WW / CW	500	48	113



The luminous flux and the connected wattage quoted might change as a result of technical progress. For the latest technical information, Installation guidelines and product updates with LED service life please refer to the website at www.klite.in



Important Note : To ensure proper installation, kindly translate / communicate the installation instructions to a qualified electrician in their respective local language.