



Pelican Fort Micro / Pelican Fort Mini

Pelican Fort is a special purpose pendant luminaire, integral model. Improved long lasting protection against ingress of dust / insects inside optical compartment with top opening facility for maintenance, including relamping. Streamlined profile for lesser aerodynamic resistance.

Technical Specifications

- Luminaire comprises of specially contoured spun aluminium body featuring high strength and anti corrosion.
- V shaped translucent acrylic reeded diffuser.
- Designed for mounting on ceiling with stainless steel suspension kit (1 meter).
- Cable entries for through-wiring of mains supply cable.
- Integral power supply for LED
- Protection class : IP20
- CE - Conformity mark
- Suitable for operation on 240V, 50Hz single phase ac supply.

Product Benefits

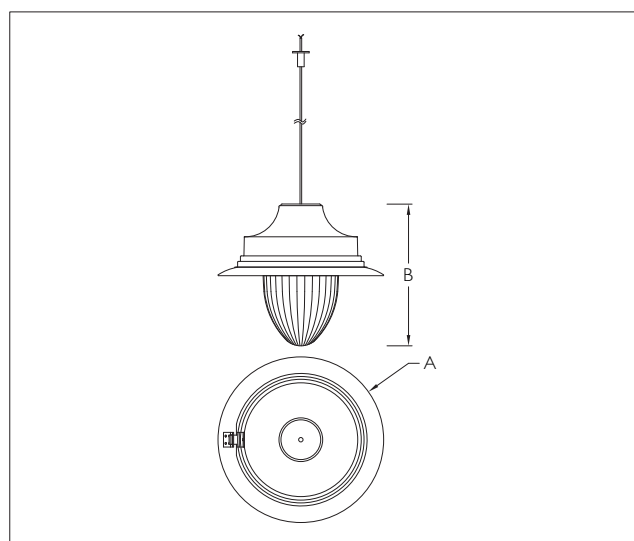
- Top cover retained by hinge for easy maintenance and held in closed position by spring loaded latch.
- Functionally versatile, strong and stable with sound engineering.
- Corrosion resistant and easy maintenance.
- Quick installation and low assembly costs.

Area of Application

Corporate Offices, Malls, Restaurants, Receptions, Corridors, Commercial & Business Centers.

Available Finish

Epoxy polyester powder coated silver.



PELICAN FORT MICRO

ID	Wattage	A	B
3040	E27	Ø300	265
3030	24W LED	Ø300	265

PELICAN FORT MINI

3063	E27	Ø425	370
3014	30W LED	Ø425	370



The luminous flux and the connected wattage quoted might change as a result of technical progress. For the latest technical information, Installation guidelines and product updates with LED service life please refer to the website at www.klite.in



Important Note : To ensure proper installation, kindly translate / communicate the installation instructions to a qualified electrician in their respective local language.