

A modern heritage post top luminaire upgraded with high performance light engines. Aesthetically designed sturdy construction ensures a long life against all weather condition, maintaining initial performances through the lifetime of the installation. Designed for highest efficiency in terms of more lumens at reduced wattages.

Technical Specifications

- The luminaire comprises of spun aluminium top cover serving as a canopy for the fitting.
- A combination of one on one double diffuser (a clear outer diffuser and a translucent inner diffuser)
- Luminaire integrated with 30W LED.
- Die cast aluminium spigot base with aluminium alloy of low copper content for effective corrosion resistance.
- Suitable for mounting on 50mm OD pipe.
- Cable entries for through-wiring of mains supply cable (max. 3 x 0.5 Sqmm)
- Integral power supply
- Earth connection
- Safety class I
- Protection class IP54
- CE - Conformity mark
- Prewired with LED driver and suitable for operation on 240V, 50Hz single phase ac supply.

Product Benefits

- High luminous efficiency at reduced wattage.
- Elegance, Functionality.
- Environmental friendly.
- Dark sky compliant protects pedestrians from glare, in addition to preventing spill light above the horizontal plane.
- Sustainable LED technology offers durability and optimal light output with low power consumption.

Area of Application

Illuminating parks, Gardens, commercial complex, Pathways in residential buildings & office complex.

Available Finish

Pure polyester powder coated Black.

Accessory


A separate IP67 rated connector can be supplied for a secure connection to the network.

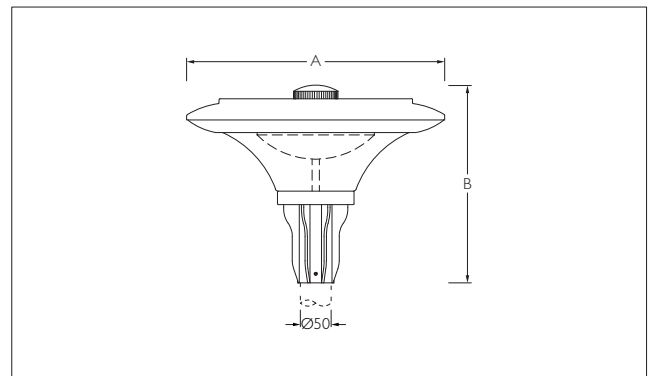
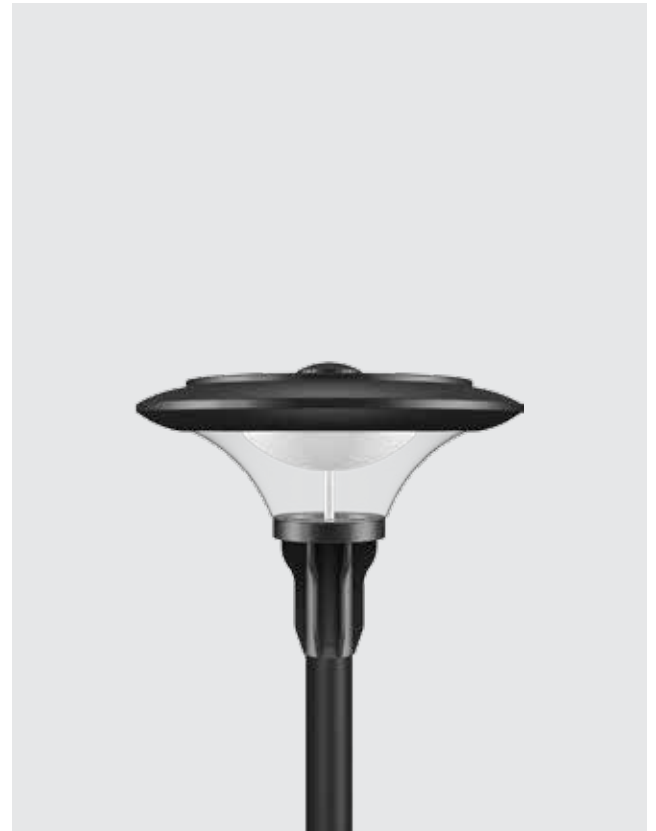
Light Distribution

Luminaire photometric data IES files for the light planning program DIALux can be downloaded in IES-format on the K-LITE web page www.klite.in.

Installation Recommendation

For latest technical information, Installation guidelines and product updates please refer to our website at www.klite.in

 Important Note : To ensure proper installation, kindly translate / communicate the installation instructions to a qualified electrician in their respective local language.



ID	Wattage	A	B
4975	30W LED	Ø425	325