

# Macula



The LED spot light series, adopt the energy-saving, environmental LED lamp. It is a perfect lamp with high luminous efficiency, prominent energy saving effect and long lifespan. Also with no radialization, no strobe flash, gentle light. It's appearance is refined and elegancy.

## Technical Specifications

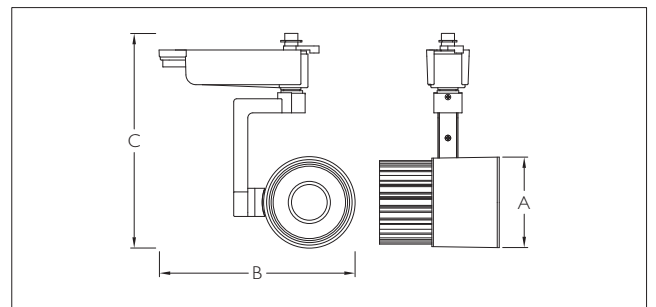
- The body of led spot light adopt aluminium alloy which has excellent mechanical strength, extruded aluminium heat sink for better thermal management.
- Adopting reflector which is with excellent optics effect and excellent spot light effect.
- Two circuit connector, directionally adjustable, convenient installation and maintenance.
- Cable entries for through-wiring of mains supply cable.
- Protection class IP 20
- Luminaire provided with built-in constant current driver with advanced circuit design achieves stable performance and long service span. Suitable for operation on 240V, 50Hz single phase ac supply.

## Product Benefits

- Excellent efficiency for high energy savings of up to 80% compared to CFL downlights.
- Replacement of existing CFL downlights with even better performance.
- Quick & simple installation.
- Flexible deployment options with a wide spectrum of applications.

## Available Finish

White epoxy polyester powder coating.



ID	Wattage	A	B	C
7694	20W LED	Ø90	195	215

The luminous flux and the connected wattage quoted might change as a result of technical progress. For the latest technical information, Installation guidelines and product updates with LED service life please refer to the website at [www.klite.in](http://www.klite.in)



**Important Note :** To ensure proper installation, kindly translate / communicate the installation instructions to a qualified electrician in their respective local language.