

# Light House



These flower bed luminaire is a combination of low height tube. Bollard luminaires contribute to safety by illuminating pathways and other open spaces.

## Technical Specifications

- Luminaire made of extruded aluminium alloy (grade 6063) with die-cast aluminium components and non corrosive SS fasteners
- Specially contoured spun aluminium top cover with circular polycarbonate capping spacer and ventilating knob.
- Translucent UV protected acrylic diffuser for rotationally symmetrical downward distribution of light.
- Cast Iron mounting plate with an anchorage unit made out of hot dip galvanised steel for extra guarantee against corrosion. Luminaire can be aligned on the mounting plate around 360°.
- Cable entries for through-wiring of mains supply cable
- Safety class II
- Protection class IP 54
- CE - Conformity mark
- Suitable for operation on 240V, 50Hz single phase ac supply.

## Product Benefits

- Varied fixture options.
- Distinctive with unlimited durability.
- Dark sky compliant protects pedestrians from glare, in addition to preventing spill light above the horizontal plane.

## Area of Application

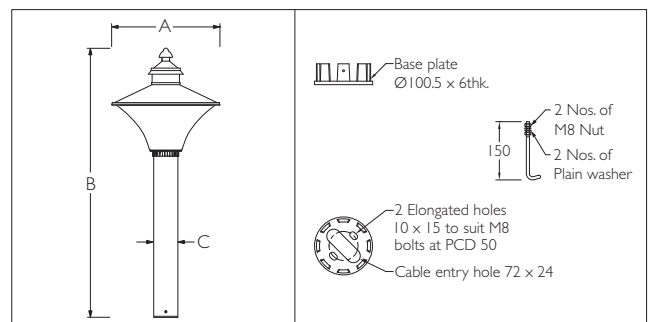
Suitable for Residential & Public areas for Illuminating Driveways, Pathways, Flowerbeds, Entrances, Squares, Gardens and as well as landscape architecture.

## Available Finish

Pure polyester powder coated Graphite grey / Black.



TUBE BOLLARDS



ID	Holder	A	B	C
4800	E27	Ø450	1120	Ø100

For Accessory, Light Distribution & Installation Recommendation please refer to our website at [www.klite.in](http://www.klite.in)

**⚠ Important Note :** To ensure proper installation, kindly translate / communicate the installation instructions to a qualified electrician in their respective local language.