

# Cylin



"Cylin" surface mounted range of LED ceiling lights are a perfect fit for varied lighting applications. The die cast aluminium housing is ideal for better thermal management. High lumen output available make this versatile for indoor & outdoor lighting solutions.

## Technical Specifications

- Luminaire made of extruded aluminium hollow circular tube with die cast aluminium frame on bottom is completely covered.
- Clear polycarbonate optical cover
- Silicon gasket
- Die cast aluminium base for mounting onto the ceiling.
- Surface mounting on ceiling using hardware after connecting to the power supply.
- Cable entries for through-wiring of mains supply cable.
- Protection class IP67 for LED Module
- Integral power supply
- Earth connection
- Safety class I
- CE - Conformity mark
- Prewired with LED driver and suitable for operation on 240V, 50Hz single phase ac supply.

## Product Benefits

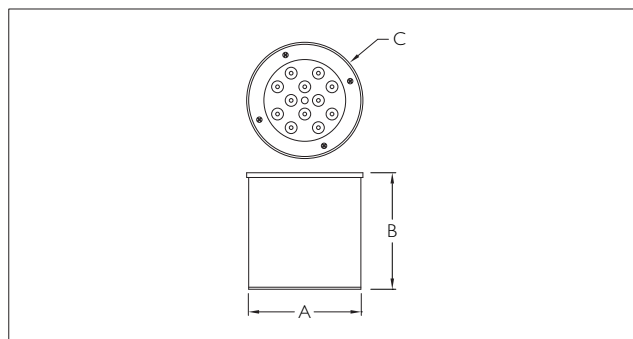
- High luminous efficiency at reduced wattage.
- Elegant, Robust design
- Sustainable LED technology offers durability and optimal light output with low power consumption.

## Area of Application

Lobbies & Foyers, Retail Sector; Corridors, Corporate, Residential & Educational premises, Hospitality Industry, Commercial & Business Centers, Passages, Walkways.

## Available Finish

Pure polyester powder coated Graphite grey.



ID	Wattage	A	B	C
7576	45W LED	Ø166	200	Ø172

The luminous flux and the connected wattage quoted might change as a result of technical progress. For the latest technical information, Installation guidelines and product updates with LED service life please refer to the website at [www.klite.in](http://www.klite.in)



**Important Note :** To ensure proper installation, kindly translate / communicate the installation instructions to a qualified electrician in their respective local language.