

# Dolphin Mini

Dolphin Mini Street Light Cut off lantern, integral model. High Brightness, LED Light source do not pose any environment risks. Designed for highest efficiency in terms of more lumens at reduced wattages contributing to a Greener World. Long life span with very low maintenance.

## Technical Specifications

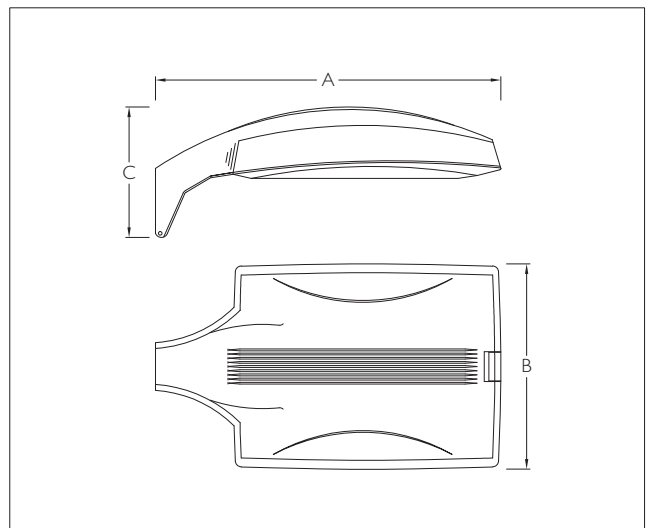
- Housing and front frame made of die-cast aluminium featuring high strength and anti corrosion.
- The front frame of the luminaire is hinged with an easy open latch for tool-less and ease of maintenance with the luminaire in position.
- Integrated with LED module.
- Clear polycarbonate optical cover.
- Cable entries for through-wiring of mains supply cable.
- Integral power supply
- Earth connection
- Safety class I
- Protection class : IP65
- CE - Conformity mark
- Prewired with LED driver and suitable for operation on 240V, 50Hz single phase ac supply.

## Product Benefits

- Top cover retained by hinge for easy maintenance.
- Functionally versatile, strong and stable with sound engineering.
- Corrosion resistant and easy maintenance.
- Quick installation and low assembly costs.
- Sustainable LED technology offers durability and optimal light output with low power consumption.

## Available Finish

Pure polyester powder coated Traffic Grey / Black.



ID	Wattage	A	B	C
5129	1 x 30W LED	580	345	219
5148	1 x 50W LED	580	345	219
4162	2 x 50W LED	580	345	219

The luminous flux and the connected wattage quoted might change as a result of technical progress. For the latest technical information, Installation guidelines and product updates with LED service life please refer to the website at [www.klite.in](http://www.klite.in)



**Important Note :** To ensure proper installation, kindly translate / communicate the installation instructions to a qualified electrician in their respective local language.