



Reflecto Parachute Mega

An elegant and efficient lantern with clear diffuser provide a unique, comfortable light choice with symmetrical and glare free light distribution. Aesthetically designed sturdy construction ensures a long life against all weather condition, maintaining initial performances through the lifetime of the installation.

Technical Specifications

- Reflector system made of spun aluminium white powder coated with a convergent knob to simulate a lighting source, and supporting aluminium brackets.
- The lamp along with control gear is housed at the top portion of extruded aluminium tube and the bottom portion attached to a mounting base.
- Suitable for mounting on 101mm OD pipe.
- Cable entries for through-wiring of mains supply cable
- Integral power supply
- Earth connection
- Safety class I
- Protection class IP65
- CE - Conformity mark
- Suitable for operation on 240V, 50Hz single phase ac supply.

Product Benefits

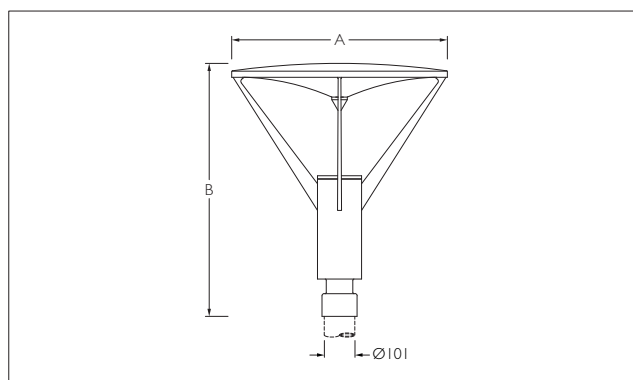
- Elegant, Robust design
- Environmental friendly, moisture proof, insect free.
- The diffuser contributes to the creation of ambiance and to visual comfort by reducing glare.
- Low maintenance cost.
- Sustainable LED technology offers durability and optimal light output with low power consumption.

Area of Application

Illuminating parks, Gardens, commercial complex, Pathways in residential buildings & office complex.

Available Finish

Pure polyester powder coated Black.



ID	Wattage	A	B
5089	70W MH G12	Ø810	990
5098	45W LED	Ø810	990

POST TOP LUMINAIRES

The luminous flux and the connected wattage quoted might change as a result of technical progress. For the latest technical information, Installation guidelines and product updates with LED service life please refer to the website at www.klite.in



Important Note : To ensure proper installation, kindly translate / communicate the installation instructions to a qualified electrician in their respective local language.