

# Imperial



An elegant and efficient lantern with clear / translucent diffuser provide a unique, comfortable light choice with symmetrical and glare free light distribution. Aesthetically designed sturdy construction ensures a long life against all weather condition, maintaining initial performances through the lifetime of the installation.

## Technical Specifications

- The luminaire comprises of specially contoured spun aluminium body and supporting brackets.
- Die cast aluminium imperial attachment added for aesthetics.
- Non yellowing, UV stabilised, convex type translucent acrylic diffuser / Convex clear diffuser / without diffuser / V diffuser Translucent.
- Suitable for mounting on 60mm OD pipe.
- Cable entries for through-wiring of mains supply cable (max. 3 x 0.5 Sqmm)
- Integral power supply
- Earth connection
- Safety class I
- Protection class IP54
- CE - Conformity mark
- Suitable for operation on 240V, 50Hz single phase ac supply.

## Product Benefits

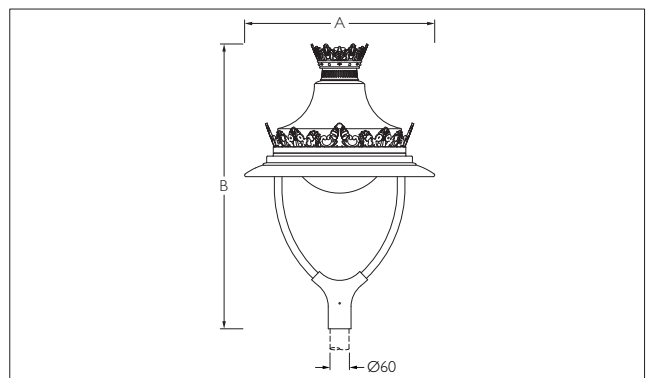
- High luminous efficiency at reduced wattage.
- Elegance, Functionality.
- Environmental friendly.
- Dark sky compliant protects pedestrians from glare, in addition to preventing spill light above the horizontal plane.
- Sustainable LED technology offers durability and optimal light output with low power consumption.

## Area of Application

Illuminating parks, Gardens, commercial complex, Pathways in residential buildings & office complex.

## Available Finish

Pure polyester powder coated Black.



ID	Wattage	A	B
5004 A8 / A10	45W LED	Ø634	950
5032 A0 / A11	60W LED 	Ø634	950

**Note :** A0-Without diffuser. A10-Convex diffuser translucent. A11-Convex diffuser clear A8-V diffuser translucent.



The luminous flux and the connected wattage quoted might change as a result of technical progress. For the latest technical information, Installation guidelines and product updates with LED service life please refer to the website at [www.klite.in](http://www.klite.in)



**Important Note :** To ensure proper installation, kindly translate / communicate the installation instructions to a qualified electrician in their respective local language.