

Ganthal



A modern heritage post top luminaire upgraded with high performance light engines. Aesthetically designed sturdy construction ensures a long life against all weather condition, maintaining initial performances through the lifetime of the installation. Designed for highest efficiency in terms of more lumens at reduced wattages.

Technical Specifications

- The luminaire comprises of die cast aluminium body fixed into the frame with SS screws.
- Top cover made up of 2 parts sealed together so as to obtain a high degree of protection.
- Luminaire integrated with 30W LED.
- Reeded acrylic diffuser.
- Suitable for mounting on 76mm OD pipe.
- Cable entries for through-wiring of mains supply cable
- Integral power supply
- Earth connection
- Safety class I
- Protection class IP54
- Prewired with LED driver and suitable for operation on 240V, 50Hz single phase ac supply.

Product Benefits

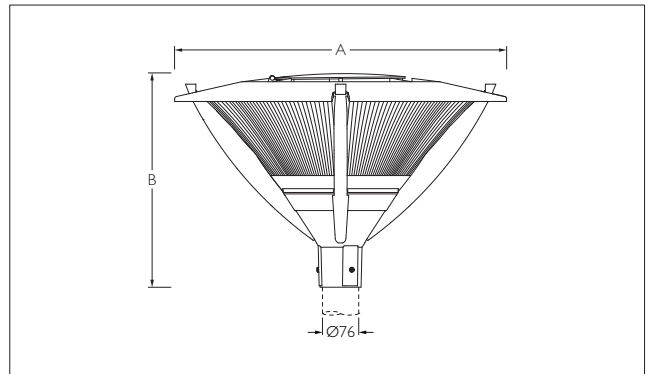
- Elegant, Robust design
- Environmental friendly, moisture proof, insect free.
- The diffuser contributes to the creation of ambience and to visual comfort by reducing glare.
- Low maintenance cost.

Area of Application

Illuminating parks, Gardens, commercial complex, Pathways in residential buildings & office complex.

Available Finish

Pure polyester powder coated Black.



ID	Wattage	A	B
5027	30W LED	Ø700	450

The luminous flux and the connected wattage quoted might change as a result of technical progress. For the latest technical information, Installation guidelines and product updates with LED service life please refer to the website at www.klite.in



Important Note : To ensure proper installation, kindly translate / communicate the installation instructions to a qualified electrician in their respective local language.