

Frontier



The Bulk head are the perfect combination of aesthetic fixture design and optimum illumination performance. Surface mounting wall light for illumination of interior and exterior locations where guidance and security lighting is required.

Technical Specifications

- Luminaire made of die cast aluminium with non corrosive SS fasteners
- Non yellowing UV stabilized polycarbonate translucent diffuser
- Silicone gasket
- Cable entries for through-wiring of mains supply cable (max. 3 x 0.5 Sqmm)
- Integral power supply
- Earth connection
- Safety class I
- Protection class IP54
- CE - Conformity mark
- Suitable for operation on 240V, 50Hz single phase ac supply.

Product Benefits

- High luminous efficiency at reduced wattage.
- Versatile use, Simple installation
- The fixture and the driver are designed to provide value technology ideally suited to Indian conditions.
- Sustainable LED technology offers durability and optimal light output with low power consumption.

Area of Application

Suitable for Private & Public areas, Commercial centres, Walkways, Residential, Passages.

Available Finish

Black powder coat finish over a chromate conversion coating.

Accessory

A separate IP68 rated connector can be supplied for a secure connection to the network.


Light Distribution

Luminaire photometric data IES files for the light planning program DIALux can be downloaded in IES-format on the K-LITE web page www.klite.in.

Installation Recommendation

For latest technical information, Installation guidelines and product updates please refer to our website at www.klite.in

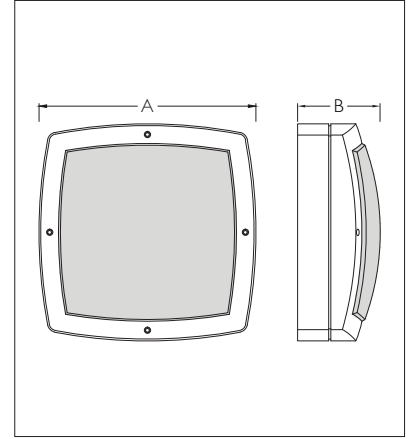


 Important Note :
To ensure proper installation, kindly translate / communicate the installation instructions to a qualified electrician in their respective local language.



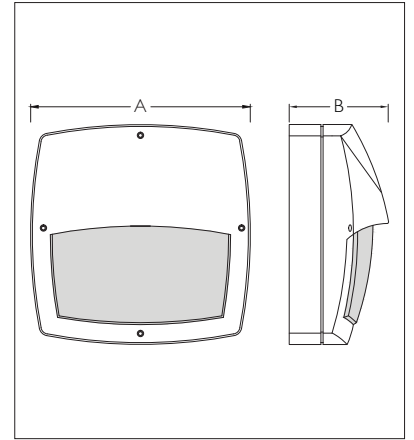
Frontier - Open Frame

ID	Wattage	A	B
4059	2 x E27 Holder	□356	146
4037	24W LED	□356	146



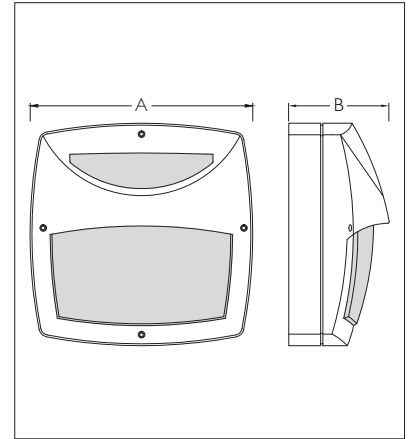
Frontier - Half Frame

ID	Wattage	A	B
4060	2 x E27 Holder	□356	171
4038	24W LED	□356	171



Frontier - Half Frame

ID	Wattage	A	B
4061	2 x E27 Holder	□356	171
4039	24W LED	□356	171



Frontier - Grid Frame

ID	Wattage	A	B
4062	2 x E27 Holder	□356	171
4040	24W LED	□356	171

