

Bricko



The Bulk head are the perfect combination of aesthetic fixture design and optimum illumination performance. Surface mounting wall step light for the illumination of interior and exterior locations where guidance and security lighting is required.

Technical Specifications

- Luminaire made of die cast aluminium with non corrosive SS fasteners
- Non yellowing UV stabilized prismatic polycarbonate diffuser
- Silicon gasket
- Cable entries for through-wiring of mains supply cable .
- Integral power supply
- Protection class IP54
- CE - Conformity mark
- Suitable for operation on 240V, 50Hz single phase ac supply.

Product Benefits

- High luminous efficiency at reduced wattage.
- Versatile use, Simple installation.
- Sustainable LED technology offers durability and optimal light output with low power consumption.

Area of Application

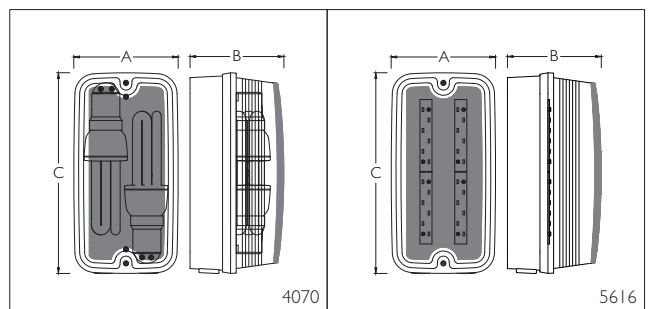
Suitable for Private & Public areas, Commercial centres, Walkways, Residential, Passages.

Available Finish

Pure polyester powder coated Black.



BULK HEAD LUMINAIRES



ID	Wattage	A	B	C
4070	2 x E27 Holder	130	116	250
5616	12W LED	130	116	250



The luminous flux and the connected wattage quoted might change as a result of technical progress. For the latest technical information, Installation guidelines and product updates with LED service life please refer to the website at www.klite.in



Important Note : To ensure proper installation, kindly translate / communicate the installation instructions to a qualified electrician in their respective local language.