

Dixon Mega



Aesthetically designed sturdy construction ensures a long life against all weather condition, maintaining initial performances through the lifetime of the installation. Low glare indirect post top luminaire designed for symmetrical light distribution.

Technical Specifications

- Die cast aluminium spigot base integrated with extruded aluminium pipe and a collar.
- Reflector system made of spun aluminium white powder coated for high reflection and cast aluminium supporting brackets.
- The lamp along with control gear is housed inside and covered with a toughened glass diffuser at the top portion of extruded aluminium tube and the bottom portion attached to a mounting base.
- Suitable for mounting on 101mm OD pipe.
- Cable entries for through-wiring of mains supply cable
- Integral power supply
- Earth connection
- Safety class I
- Protection class IP65
- CE - Conformity mark
- Suitable for operation on 240V, 50Hz single phase ac supply.

Product Benefits

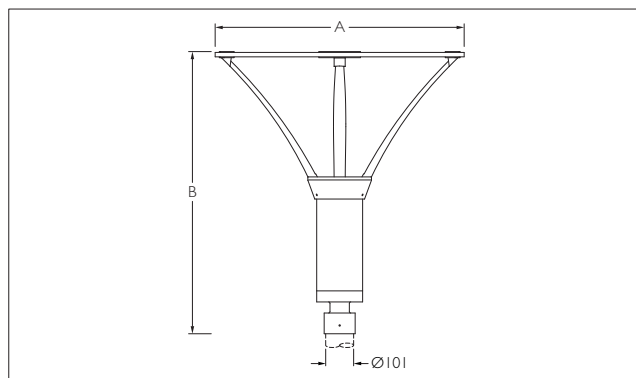
- High luminous efficiency at reduced wattage.
- Elegant, Functionality
- Environmental Friendly
- Sustainable LED technology offers durability and optimal light output with low power consumption.

Area of Application

Illuminating parks, Gardens, commercial complex, Pathways in residential buildings & office complex.

Available Finish

Pure polyester powder coated Black.



ID	Wattage	A	B
3673	70W MH G12	Ø900	1020
3674	45W LED	Ø900	1020

The luminous flux and the connected wattage quoted might change as a result of technical progress. For the latest technical information, Installation guidelines and product updates with LED service life please refer to the website at www.klite.in



Important Note : To ensure proper installation, kindly translate / communicate the installation instructions to a qualified electrician in their respective local language.