



## Cylin / Duo Cylin

These flower bed luminaire is a combination of low height tube. These luminaires offer shielded glare free illumination of ground surface and are perfect for illuminating entrances, footpaths as well as garden and landscape architecture.

### Technical Specifications

- Luminaire made of MS tube hot dip galvanised steel for extra guarantee against corrosion and non corrosive SS fasteners.
- GI mounting plate for bolting onto a foundation. Luminaire can be aligned on the mounting plate around 360°.
- Cable entries for through-wiring of mains supply cable.
- Integral power supply
- Earth connection
- Safety class I
- Suitable for operation on 240V, 50Hz single phase ac supply.

### Product Benefits

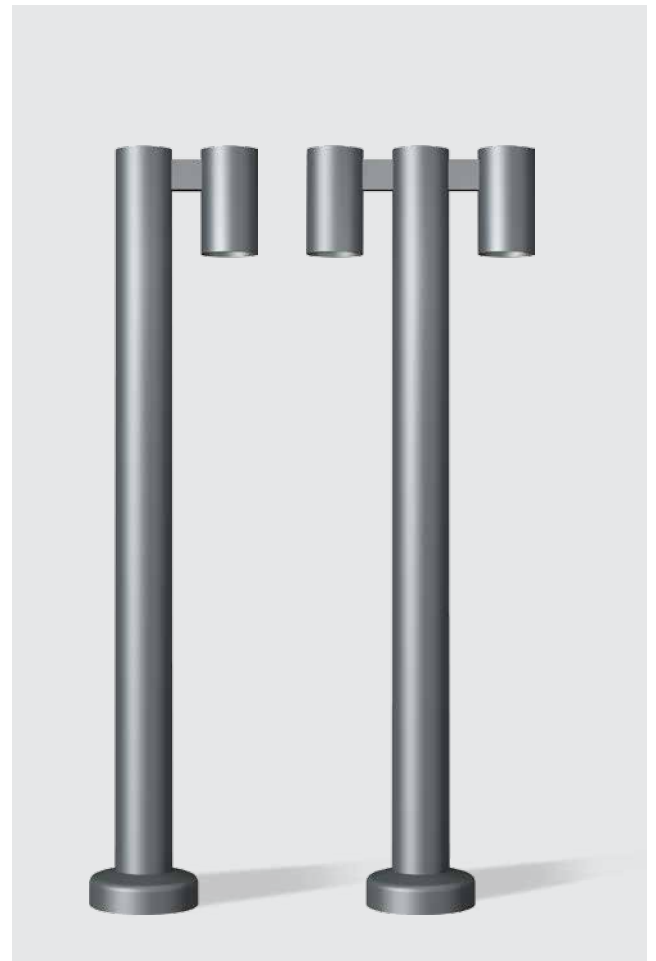
- Varied fixture options.
- Elegant, Robust design
- Dark sky compliant protects pedestrians from glare by preventing spill light above the horizontal plane.

### Area of Application

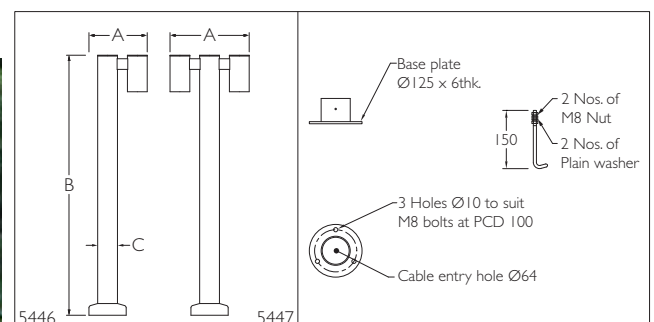
Suitable for Residential & Public areas for Illuminating Driveways, Pathways, Flowerbeds, Entrances, Squares, Gardens and as well as landscape architecture.

### Available Finish

Pure polyester powder coated Graphite grey / Black.



BOLLARDS



ID	Wattage	A	B	C
5446	GU10	224	1000	Ø76
5447	2 x GU10	305	1000	Ø76

The luminous flux and the connected wattage quoted might change as a result of technical progress. For the latest technical information, Installation guidelines and product updates with LED service life please refer to the website at [www.klite.in](http://www.klite.in)



**Important Note :** To ensure proper installation, kindly translate / communicate the installation instructions to a qualified electrician in their respective local language.