

Sambo



These flower bed luminaire is a combination of low height tube. These luminaires offer shielded glare free illumination of ground surface and are perfect for illuminating entrances, footpaths as well as garden and landscape architecture.

Technical Specifications

- Luminaire made of MS tube with die-cast aluminium components and non corrosive SS fasteners.
- Luminaire is provided with translucent acrylic diffuser to throw downward lighting.
- MS mounting plate for bolting onto a foundation.
- Cable entries for through-wiring of mains supply cable.
- Integral power supply
- Earth connection
- Safety class I
- Protection class IP 65
- **CE** - Conformity mark
- Suitable for operation on 240V, 50Hz single phase ac supply.

Product Benefits

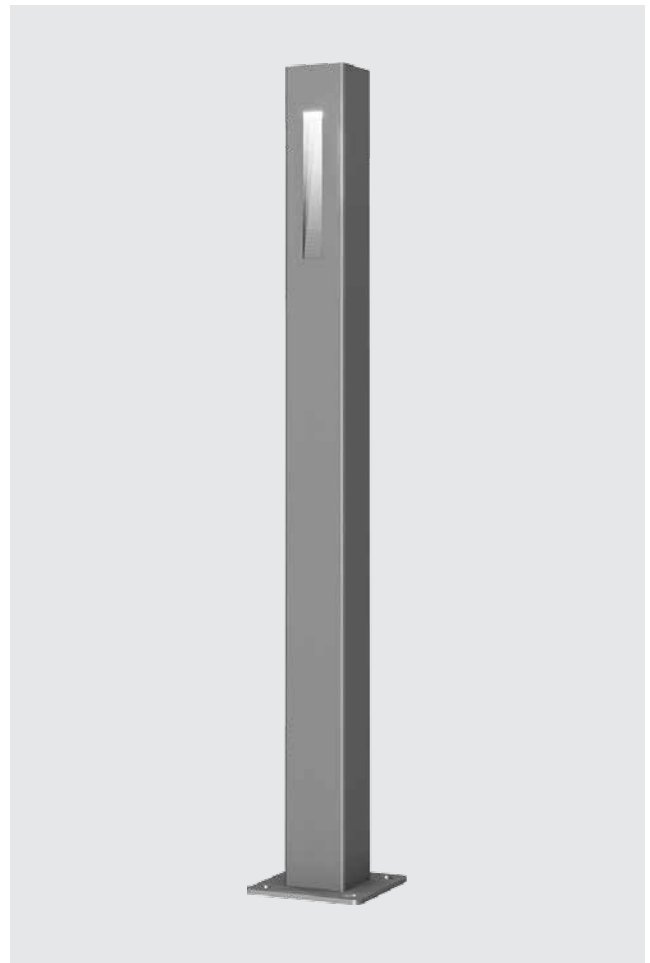
- High luminous efficiency at reduced wattage.
- Elegant, Robust design
- Dark sky compliant protects pedestrians from glare, in addition to preventing spill light above the horizontal plane.
- Sustainable LED technology offers durability and optimal light output with low power consumption.

Area of Application

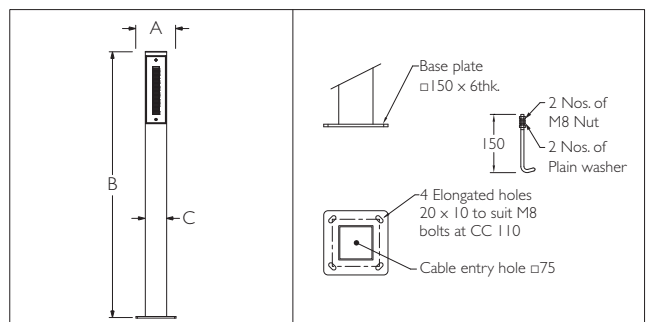
Suitable for Residential & Public areas for Illuminating Driveways, Pathways, Flowerbeds, Entrances, Squares, Gardens and as well as landscape architecture.

Available Finish

Pure polyester powder coated Graphite grey / Black.



BOLLARDS



ID	Wattage	A	B	C
5590	6W LED	□ 150	1000	□ 80
5440	12W LED	□ 150	1000	□ 80



The luminous flux and the connected wattage quoted might change as a result of technical progress. For the latest technical information, Installation guidelines and product updates with LED service life please refer to the website at www.klite.in



Important Note : To ensure proper installation, kindly translate / communicate the installation instructions to a qualified electrician in their respective local language.