

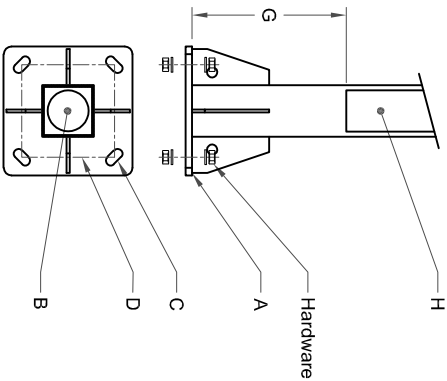
ALL DIMENSIONS ARE IN MM

K - LITE STANDARD (S1) POLE FOUNDATION DETAILS

Foundation No.	Pole Height	Base plate (A)	Cable entry Hole(B)	No. of holes/ bolts (C)	CC (D)	Bolt (E)	Length (F)	Junction box from base plate (G)	Electrical junction box (H)	RCC Height below GL / Digging depth(I)	Length of RCC layer (J)	Length of coarse sand layer (K)
57.3	4m to 6m	□250 x 12hk	Ø70	4	180	M16	500	300	320 x 60	1000	□400	□500
57.4	4m to 6m	□250 x 12hk	Ø70	4	180	M16	500	300	320 x 80	1000	□400	□500
57.5	6m to 9m	□300 x 16hk	Ø70	4	215	M20	500	300	320 x 80	1200	□400	□500
57.7	7m to 9m	□300 x 16hk	Ø125	4	215	M20	500	300	320 x 80	1200	□400	□500
57.8	10m to 12m	□400 x 16hk	Ø125	4	300	M20	700	300	320 x 80	1800	□500	□600
57.9	4m	□250 x 12hk	Ø70	4	180	M16	500	215	320 x 80	800	□400	□500

Note:

1. Typical foundation drawing for standard soil condition.
2. Parameters considered in RCC foundation design :  
 Load bearing capacity of soil (LBC) : 10 MN/m<sup>2</sup> (Minimum)  
 Basic wind speed : 50 m/s  
 Grade of steel reinforcement : Fe 415  
 Grade of foundation bolt : 4.6
3. Height of foundation above ground level (150mm) may be revised to suit the site conditions especially considering the expected water level stagnation.
4. Template supplied is suggested to be used for locating the CC of foundation bolts.
5. 4 Nos. of foundation bolt have to be oriented (located), while casting the foundation such that the door of the electrical junction box face the required direction.
6. PVC / GI pipe for entry of supply cable and the materials required for foundation are not scope of our supply.



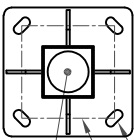
E

B

D

Hardware

G



Horizontal level finished

60

150

150

F

P

GL

PVC / GI pipe for supply cable entry with loop in / loop out arrangement

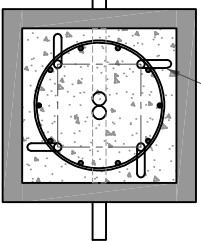
Steel reinforcements

150

J

K

Coarse sand



Section: P - P

Foundation bolt

DRAWN THIRUPATHI	CHECKED	APPROVED	DATE 27-03-15	SCALE 1 : 30	MATERIAL
---------------------	---------	----------	------------------	-----------------	----------

REV. No.	REVISION DETAILS	DATE	REVISED	CHD	APPD
03	FOUNDATION No. 57.7,57.8 ELECTRICAL JUNCTION BOX SIZE REVISED.	14-11-17	BASKAR		
02	COMPANY NAME REVISED	17-09-16	SATHISH		
01	Fig.3,4,5,9 CABLE ENTRY HOLE REVISED	24-12-15	SATHISH		

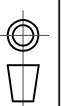
Z:\KP\005.FOUNDATION DETAIL S\KP - DFD - 082\REV 03.dwg

DETAILED FOUNDATION DRAWING FOR KP - 57  
 SURFACE MOUNTED SQUARE POLE



**K-LITE INDUSTRIES**

CHENNAI - 600 098



DRG. NO. KP-DFD-082

REV 03 SHEET 1 of 1