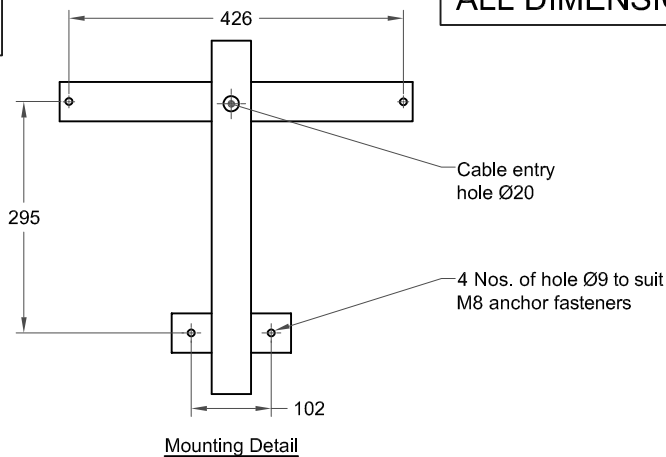
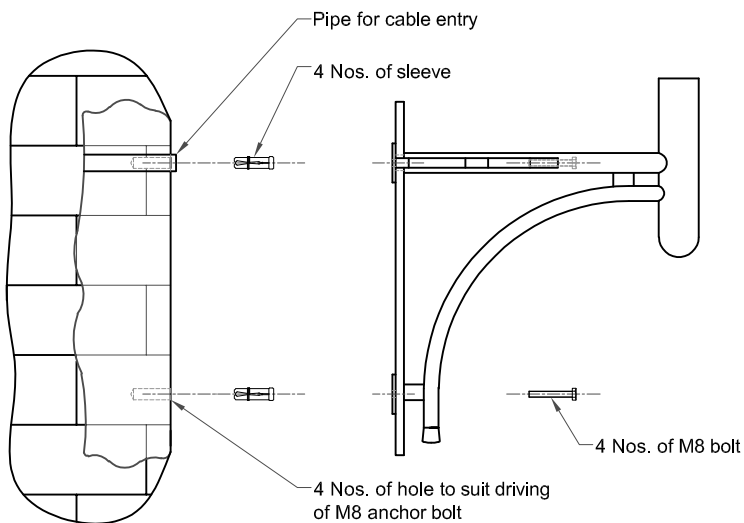


DWG. No. : KP-DMD-003
SHEET No. : 1 of 1

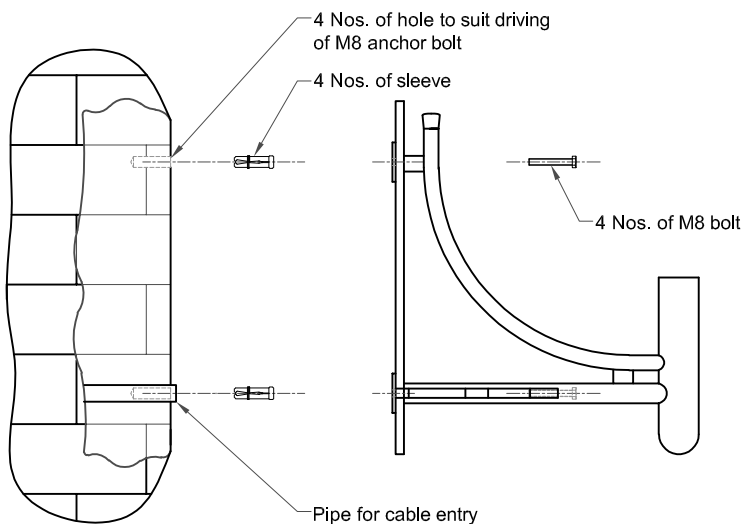
ALL DIMENSIONS ARE IN mm



VOLGA BRACKET:



VOLGA INVERTED BRACKET:



NOTE :

1. Pipe for cable entry shown is only for indicative.
2. Sleeve and anchor fasteners are not included in the scope of supply.

REV. No.	REVISION DETAILS	DATE	REVISED	CHD	APPD

DRAWN BASKAR	CHECKED	APPROVED	DATE 09-07-18	SCALE 1 : 10	MATERIAL -	Z:\KP\010.DETAIL MOUNTING DRAWING\KP - DMD - 003\REV 00.dwg
-----------------	---------	----------	------------------	-----------------	---------------	---

	K-LITE INDUSTRIES CHENNAI - 600 098	DETAILED MOUNTING DRAWING FOR KP - W3 WALL BRACKET	
			DRG. NO. KP-DMD-003